

SUPERIOR

HYDROLIQUE PVT LTD



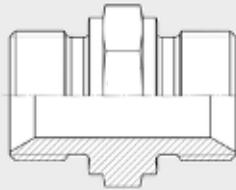
ADAPTERS 6,000 & 10,000 PSI

CATALOGUE

ADAPTER VISUAL INDEX

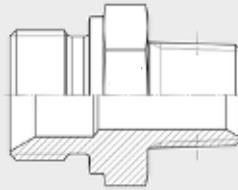
AGR - AGR (BSPP - BSPP)

Seite Page 15



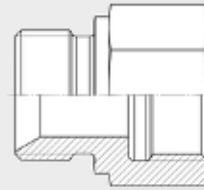
AGR - BSPT (BSPP - BSPT)

Seite Page 16



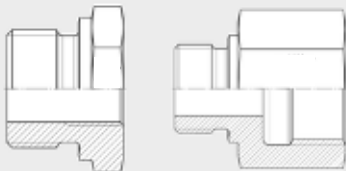
AGR - BSPP-f (BSPP - BSPP-f)

Seite Page 17



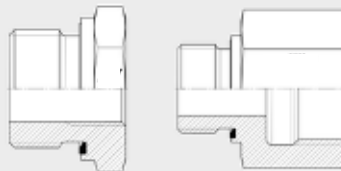
RI

Seite Page 18



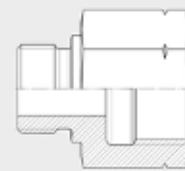
RI - WD

Seite Page 20



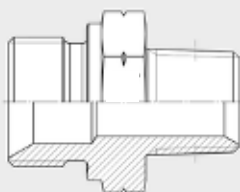
RI - BSPP - NPT-f

Seite Page 22



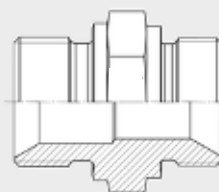
AGR - AGN (BSPP - NPT)

Seite Page 23



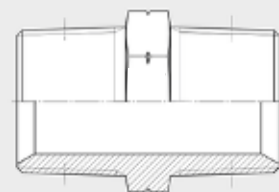
AGR - AGM (BSPP - Metric)

Seite Page 24



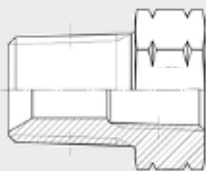
AGN - AGN (NPT - NPT)

Seite Page 25



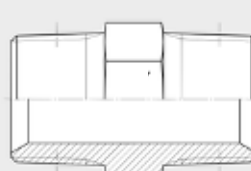
AGN - NPT-f (NPT - NPT-f)

Seite Page 26



BSPT - BSPT (BSPT - BSPT)

Seite Page 27



BSPT - BSPT-f (BSPT - BSPT-f)

Seite Page 28



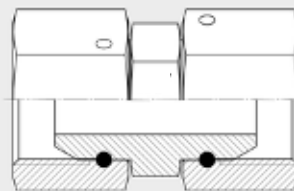
AGS (BSPP Bulkhead)

Seite Page 29



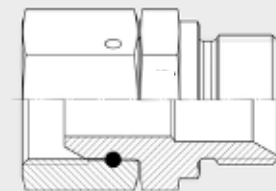
DKR - DKR (BSPP-f - BSPP-f)

Seite Page 30



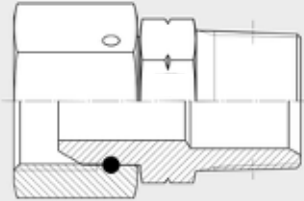
DKR - AGR (BSPP-f - BSPP)

Seite Page 31



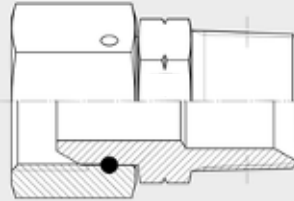
DKR - AGN (BSPP-f - NPT)

Seite Page 32



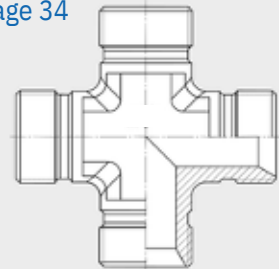
DKR - BSPT (BSPP-f - BSPT)

Seite Page 33



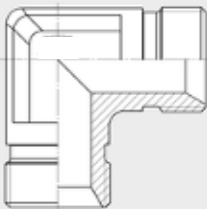
KAGR (BSPP)

Seite Page 34



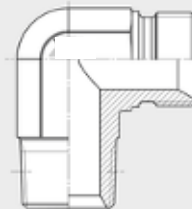
AGR - AGR - 90° (BSPP - BSPP)

Seite Page 35



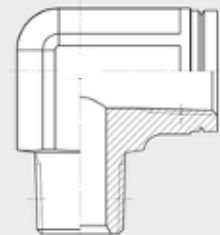
AGR - AGN - 90° (BSPP - NPT 90)

Seite Page 36



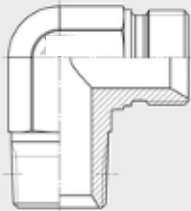
AGN - NPT-f - 90° (NPT - NPT-f 90)

Seite Page 37



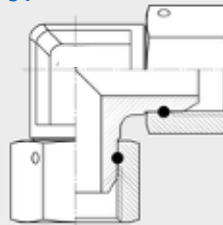
AGR - BSPT - 90° (BSPP - BSPT 90)

Seite Page 38



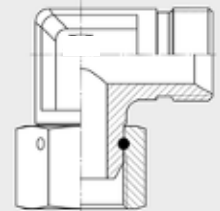
DKR - DKR - 90° (BSPP-f - BSPP-f 90)

Seite Page 39



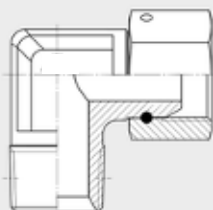
DKR - AGR - 90° (BSPP-f - BSPP)

Seite Page 40



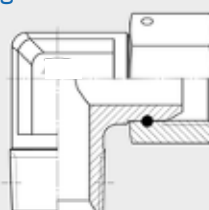
DKR - AGN - 90° (BSPP-f - NPT)

Seite Page 41



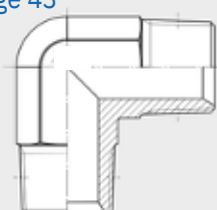
DKR - BSPT - 90° (BSPP-f - BSPT 90)

Seite Page 42



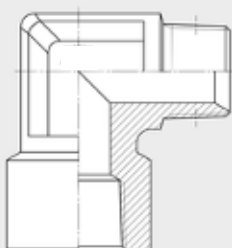
BSPT - BSPT - 90° (BSPT - BSPT 90)

Seite Page 43



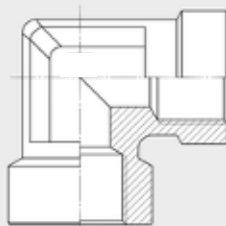
BSPT - BSPT-f - 90° (BSPT - BSPT-f 90)

Seite Page 44



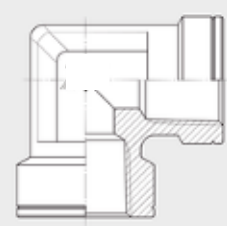
BSPP-f - BSPP-f - 90° (BSPP-f - BSPP-f 90)

Seite Page 45



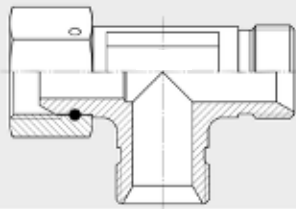
NPT-f - NPT-f - 90° (NPT-f - NPT-f 90)

Seite Page 46



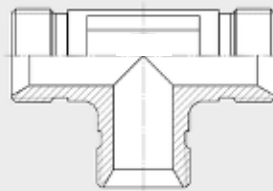
**LAGR - AGR - DKR
(BSPP - BSPP - BSPP-f)**

Seite Page 47



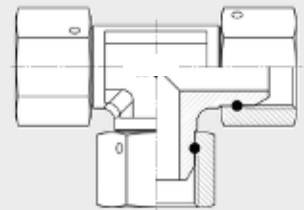
TAGR (BSPP)

Seite Page 48



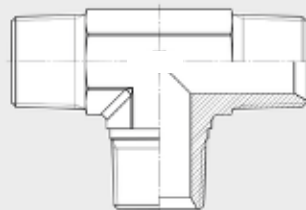
TDKR (BSPP-f)

Seite Page 49



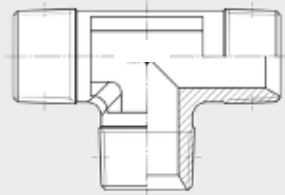
TAGN (NPT)

Seite Page 50



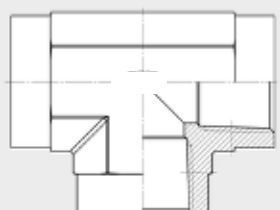
TBSPT (BSPT)

Seite Page 51



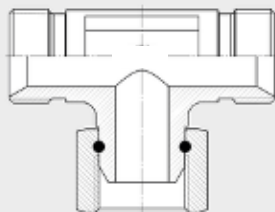
TBSPT-f (BSPT-f)

Seite Page 52



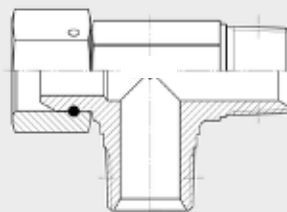
**TAGR - DKR - AGR
(BSPP - BSPP-f - BSPP)**

Seite Page 53



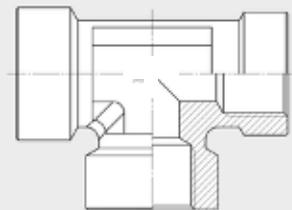
**LBSPT - BSPT - DKR
(BSPT - BSPT - BSPP-f)**

Seite Page 54



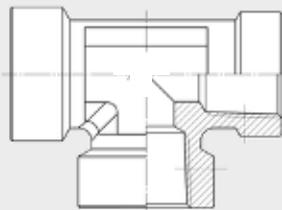
TBSPP-f (BSPP-f)

Seite Page 55



TNPT-f (NPT-f)

Seite Page 56



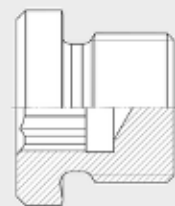
VSCH - R

Seite Page 57



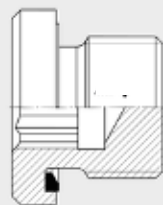
VSCH - M

Seite Page 58



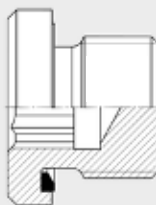
VSCH - R - WD

Seite Page 59



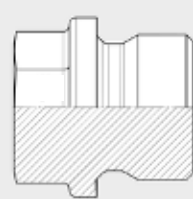
VSCH - M - WD

Seite Page 60



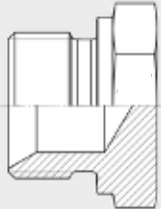
VSCH - 910

Seite Page 61



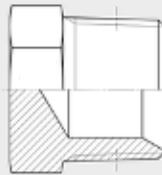
VSCH - AGR (BSPP)

Seite Page 62



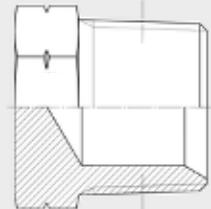
VSCH - BSPT (BSPT)

Seite Page 63



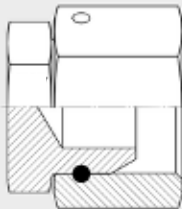
VSCH - AGN (NPT)

Seite Page 64



VSTO - DKR (BSPP-f)

Seite Page 65



SKKA - BSPP-f (BSPP-f)

Seite Page 66



SKKA - NPT-f (NPT-f)

Seite Page 67



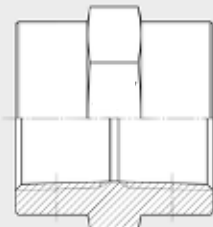
SKMU - BSPP-f (BSPP-f)

Seite Page 68



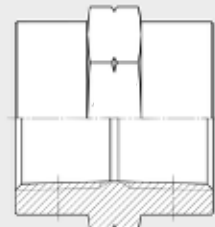
SKMU - BSPT-f (BSPT-f)

Seite Page 69



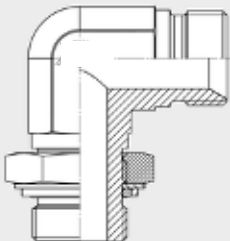
SKMU - NPT-f (NPT-f)

Seite Page 70



WEE - BSPP - AGR (BSPP - BSPP)

Seite Page 71



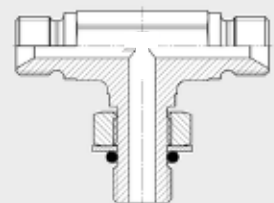
**LEE - AGR - AGR - BSPP
(BSPP - BSPP - BSPP)**

Seite Page 72



**TEE - AGR - BSPP - AGR
(BSPP - BSPP - BSPP)**

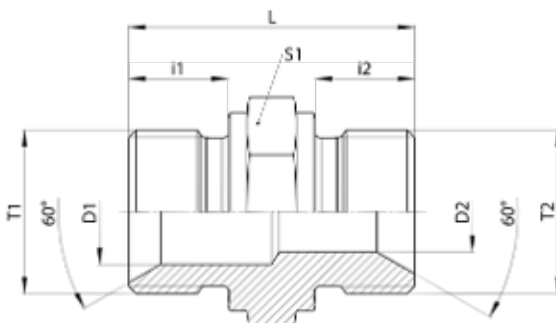
Seite Page 73



AGR - AGR (BSPP - BSPP)

- Straight Adapter ■ Thread: BSPP Metallic
- with 60° Cone end ■ sealing edge Form B

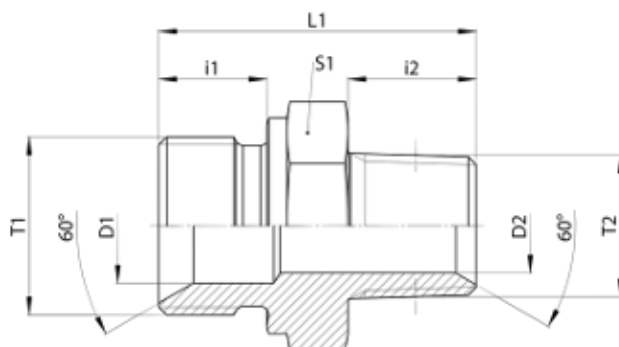
DASH	T1	T2	D1 (mm)	D2 (mm)	L (mm)	S1 (mm)	i1 (mm)	i2 (mm)	PN (bar)
-2-2	1/8-BSPP	1/8-BSPP	4	4	24	14	8	8	350
-4-2	1/4-BSPP	1/8-BSPP	5	4	28	19	11	8	350
-4-4	1/4-BSPP	1/4-BSPP	5	5	32	19	11	11	350
-6-2	3/8-BSPP	1/8-BSPP	8	4	30	22	12	8	350
-6-4	3/8-BSPP	1/4-BSPP	8	5	33	22	12	11	350
-6-6	3/8-BSPP	3/8-BSPP	8	8	35	22	12	12	350
-8-4	1/2-BSPP	1/4-BSPP	11	5	37	27	14	11	200
-8-6	1/2-BSPP	3/8-BSPP	11	8	38.5	27	14	12	200
-8-8	1/2-BSPP	1/2-BSPP	11	11	41	27	14	14	200
-10-6	5/8-BSPP	3/8-BSPP	14	8	42	30	16	12	200
-10-8	5/8-BSPP	1/2-BSPP	14	11	44	30	16	14	200
-10-10	5/8-BSPP	5/8-BSPP	14	14	45	30	16	16	200
-12-6	3/4-BSPP	3/8-BSPP	17	8	41.5	32	16	12	200
-12-8	3/4-BSPP	1/2-BSPP	17	11	44	32	16	14	200
-12-10	3/4-BSPP	5/8-BSPP	17	14	44	32	16	16	200
-12-12	3/4-BSPP	3/4-BSPP	17	17	46	32	16	16	200
-16-6	1-BSPP	3/8-BSPP	22	8	47	41	19	12	120
-16-8	1-BSPP	1/2-BSPP	22	11	47	41	19	14	120
-16-12	1-BSPP	3/4-BSPP	22	17	48	41	19	16	120
-16-16	1-BSPP	1-BSPP	22	22	50	41	19	19	120
-20-12	1.1/4BSPP	3/4-BSPP	29	17	50	50	20	16	105
-20-16	1.1/4BSPP	1-BSPP	29	22	54	50	20	19	105
-20-20	1.1/4BSPP	1.1/4BSPP	29	29	57	50	20	20	105
-24-12	1.1/2BSPP	3/4-BSPP	33	17	57	55	22	16	105
-24-16	1.1/2BSPP	1-BSPP	33	22	56	55	22	19	105
-24-20	1.1/2BSPP	1.1/4BSPP	33	29	60	55	22	20	105
-24-24	1.1/2BSPP	1.1/2BSPP	33	33	60	55	22	22	105
-32-20	2-BSPP	1.1/4BSPP	46	29	62	70	25	20	70
-32-24	2-BSPP	1.1/2BSPP	46	33	68	70	25	22	70
-32-32	2-BSPP	2-BSPP	46	46	68	70	25	25	70



AGR - BSPT(BSPP - BSPT)

- Straight Adapter
- with 60° Cone end
- Thread: BSPP / BSPT
- Metallic sealing edge Form B

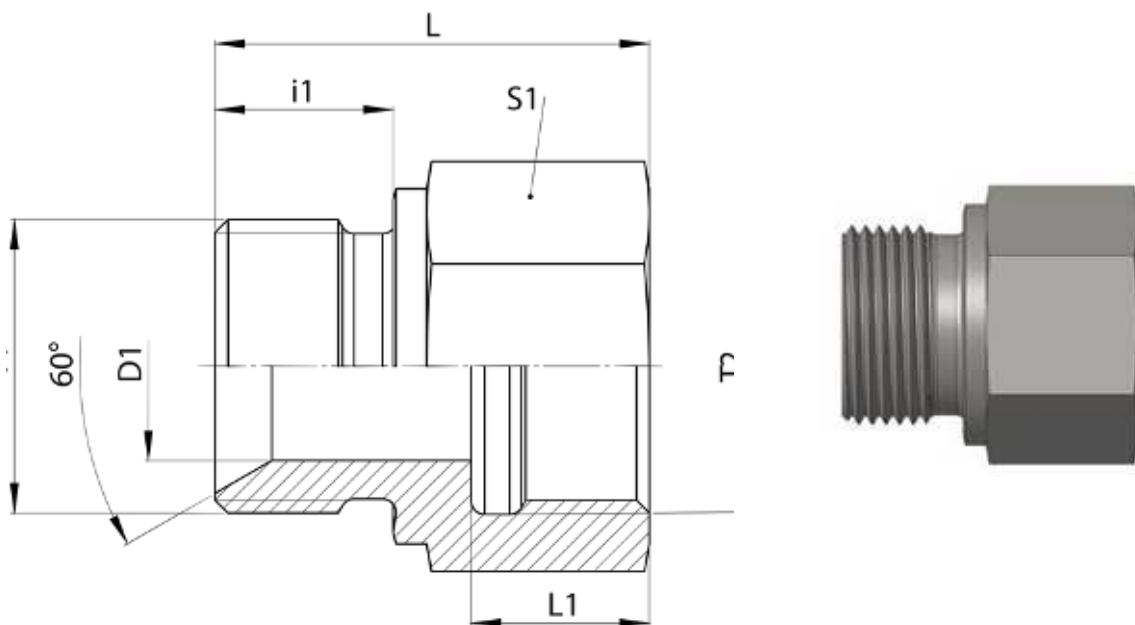
Dash	T1	T2	D1 (mm)	D2 (mm)	L1 (mm)	S1 (mm)	i1 (mm)	i2 (mm)	PN (bar)
-2-2	1/8-BSPP	1/8-BSPT	4	5	24.5	14	8	10	315
-2-4	1/8-BSPP	1/4-BSPT	4	7	31.5	14	8	15	315
-4-2	1/4-BSPP	1/8-BSPT	5	5	29	19	11	10	315
-4-4	1/4-BSPP	1/4-BSPT	5	7	35	19	11	15	315
-4-6	1/4-BSPP	3/8-BSPT	5	10	36	19	11	15	315
-4-8	1/4-BSPP	1/2-BSPT	5	14	41	22	11	19	200
-6-4	3/8-BSPP	1/4-BSPT	8	7	36.5	22	12	15	315
-6-6	3/8-BSPP	3/8-BSPT	8	10	37.5	22	12	15	315
-6-8	3/8-BSPP	1/2-BSPT	8	14	42.5	22	12	19	200
-6-12	3/8-BSPP	3/4-BSPT	8	18	43.5	27	12	19	200
-6-16	3/8-BSPP	1-BSPT	8	24	48.5	36	12	24	120
-8-6	1/2-BSPP	3/8-BSPT	11	10	40	27	14	15	200
-8-8	1/2-BSPP	1/2-BSPT	11	14	45	27	14	19	200
-8-12	1/2-BSPP	3/4-BSPT	11	18	46	27	14	19	200
-10-8	5/8-BSPP	1/2-BSPT	14	14	47	30	16	19	200
-10-10	5/8-BSPP	5/8-BSPT	14	12	41	27	16	17	200
-10-12	5/8-BSPP	3/4-BSPT	14	18	48	30	16	19	200
-12-8	3/4-BSPP	1/2-BSPT	17	14	47	32	16	19	200
-12-12	3/4-BSPP	3/4-BSPT	17	18	48	32	16	19	200
-12-16	3/4-BSPP	1-BSPT	17	24	53	36	16	24	120
-16-12	1-BSPP	3/4-BSPT	22	18	51	41	19	19	120
-16-16	1-BSPP	1-BSPT	22	24	56	41	19	24	120
-16-20	1-BSPP	1.1/4BSPT	22	32	61	46	19	25	105
-20-20	1.1/4BSPP	1.1/4BSPT	29	32	62	50	20	25	105
-24-24	1.1/2BSPP	1.1/2BSPT	33	38	66	55	22	26	105
-32-32	2-BSPP	2-BSPT	46	46	74.5	70	25	30	70



AGR - BSPP-f (BSPP - BSPP-f)

- Straight Adapter with
- 60° Cone end Thread:
- BSPP / BSPP-f Metallic
- sealing edge Form B

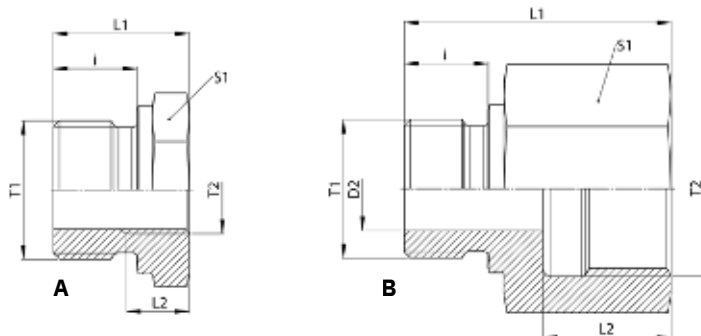
Dash	T1	T2	D1 (mm)	L (mm)	L1 (mm)	S1 (mm)	i1 (mm)	PN (bar)
-2-2	1/8-BSPP	1/8-BSPP	4	21.5	8	14	8	315
-4-4	1/4-BSPP	1/4-BSPP	5	29	12	19	11	315
-6-4	3/8-BSPP	1/4-BSPP	8	30.5	12	22	12	315
-6-6	3/8-BSPP	3/8-BSPP	8	30.5	12	22	12	315
-8-8	1/2-BSPP	1/2-BSPP	11	37	16	27	14	200
-12-8	3/4-BSPP	1/2-BSPP	17	39	16	32	16	200
-12-12	3/4-BSPP	3/4-BSPP	17	39	16	32	16	200
-16-16	1-BSPP	1-BSPP	22	45	19	41	19	120
-20-20	1.1/4BSPP	1.1/4BSPP	29	46	19	50	20	105
-24-24	1.1/2BSPP	1.1/2BSPP	33	48	19	55	22	105
-32-32	2-BSPP	2-BSPP	46	51.5	19	70	25	70



RI

- Straight Expander Male
- Thread: BSPP Female
- Thread: BSPP Metallic
- sealing edge Form B

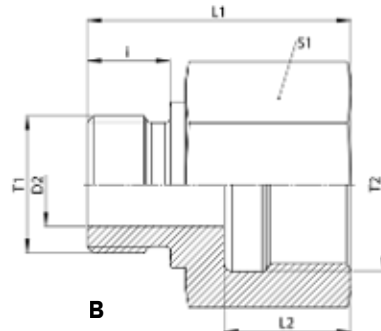
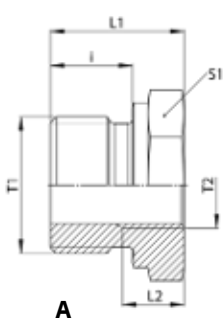
Type	T1	T2	D2 (mm)	L1 (mm)	L2 (mm)	S1 (mm)	i (mm)	PN (bar)
B	G 1" G	G 3/4" G	-	38	16	41	18	315
B	1" G 1"	1.1/4" G	20	57	26.5	55	18	250
B	G 1.1/4"	1.1/2" G	20	59	28.5	60	18	250
A	G 1.1/4"	1/2" G	-	32	14	50	20	315
A	G 1.1/4"	3/4" G	-	32	16	50	20	315
B	G 1.1/4"	1" G	-	52	24.5	50	20	315
B	G 1.1/2"	1.1/2" G	25	60	28.5	60	20	250
A	G 1.1/2"	1/2" G	-	36	14	55	22	250
A	G 1.1/2"	3/4" G	-	36	16	55	22	250
A	G 1.1/2"	1" G	-	36	18	55	22	250
B	G 2" G	1.1/4" G	-	58	26.5	55	22	250
A	2"	1.1/4" G	-	63	26.5	70	24	160
B	-	1.1/2"	-	65	28.5	70	24	160



RI

- Straight Expander
- Male Thread: BSPP
- Female Thread: BSPP
- Metallic sealing edge Form B

Type	T1	T2	D2 (mm)	L1 (mm)	L2 (mm)	S1 (mm)	i (mm)	PN (bar)
B	G 1" G	G 3/4" G	-	38	16	41	18	315
B	1" G 1"	1.1/4" G	20	57	26.5	55	18	250
B	G 1.1/4"	1.1/2" G	20	59	28.5	60	18	250
A	G 1.1/4"	1/2" G	-	32	14	50	20	315
A	G 1.1/4"	3/4" G	-	32	16	50	20	315
B	G 1.1/4"	1" G	-	52	24.5	50	20	315
B	G 1.1/2"	1.1/2" G	25	60	28.5	60	20	250
A	G 1.1/2"	1/2" G	-	36	14	55	22	250
A	G 1.1/2"	3/4" G	-	36	16	55	22	250
A	G 1.1/2"	1" G	-	36	18	55	22	250
B	G 2" G	1.1/4" G	-	58	26.5	55	22	250
A	2"	1.1/4" G	-	63	26.5	70	24	160
B	-	1.1/2"	-	65	28.5	70	24	160



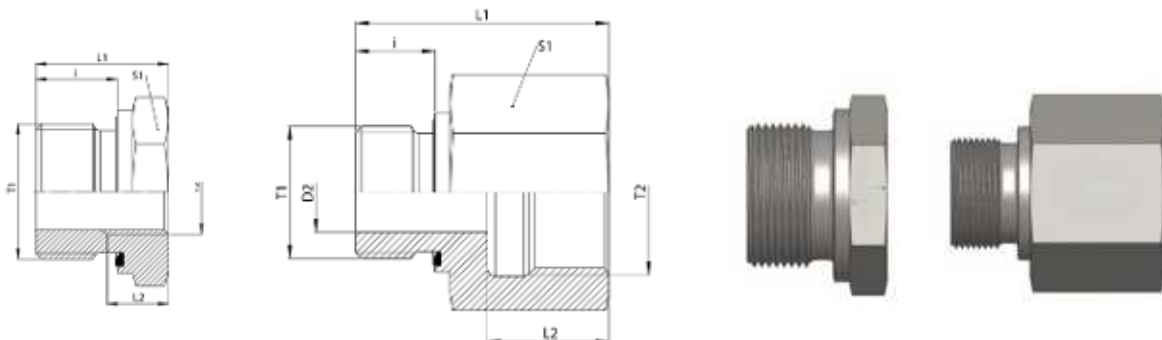
A

B

RI - WD

- Straight Expander Male
- Thread: BSPP Female
- Thread: BSPP Sealing by
- Viton profile ring DIN 3869

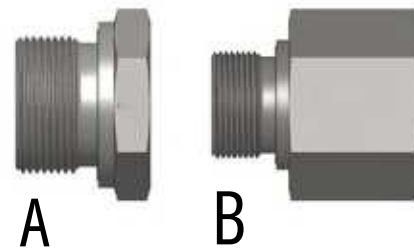
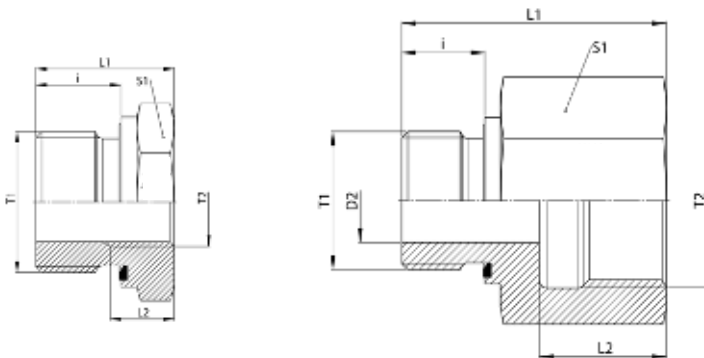
Type	T1	T2	D2 (mm)	L1 (mm)	L2 (mm)	S1 (mm)	i (mm)	PN (bar)
B	G 1/8"	G 1/4" G	4	31	17	19	8	630
B	G 1/8"	3/8" G	4	32	17	24	8	630
B	G 1/8"	1/2" G	4	28	13	27	8	630
B	G 1/4"	1/8" G	-	28	12	19	12	400
B	G 1/4"	1/4" G	5	36	17	19	12	630
B	G 1/4"	3/8" G	5	36	17	24	12	630
B	G 1/4"	1/2" G	5	40	20	30	12	630
A	G 1/4"	3/4" G	5	43	22	36	12	400
A	G 3/8"	1/8" G	EMPTY BOX	22.5	8	22	12	400
B	G 3/8"	1/4" G		36	12	22	12	400
B	G 3/8"	3/8" G	8	38	17	24	12	630
B	G 3/8"	1/2" G	8	41	20	30	12	630
B	G 3/8"	3/4" G	-	44	22	36	12	400
A	G 1/2"	1/8" G	-	24	8	27	14	400
A	G 1/2"	1/4" G	EMPTY BOX	24	12	27	14	400
B	G 1/2"	3/8" G	-	36	17	30	14	400
B	G 1/2"	1/2" G	-	43.5	20	36	14	400
B	G 1/2"	3/4" G	12	46	22	36	14	400
B	G 1/2"	1" G	12	49	24.5	41	14	400
B	G 1/2"	1.1/4" G	12	53	26.5	55	14	400
A	G 3/4"	1/4" G	12	26	12	32	16	315
A	G 3/4"	3/8" G	-	26	12	32	16	315
B	G 3/4"	1/2" G	EMPTY BOX	41	20	32	16	315
B	G 3/4"	1" G	16	51	24.5	41	16	400
B	G 3/4"	1.1/4" G	16	55	26.5	55	16	250
B	G 3/4"	1.1/2" G	16	57	28.5	60	16	250



RI - WD

- Straight Expander
- Male Thread: BSPP
- Female Thread: BSPP
- Sealing by Viton profile ring DIN 3869

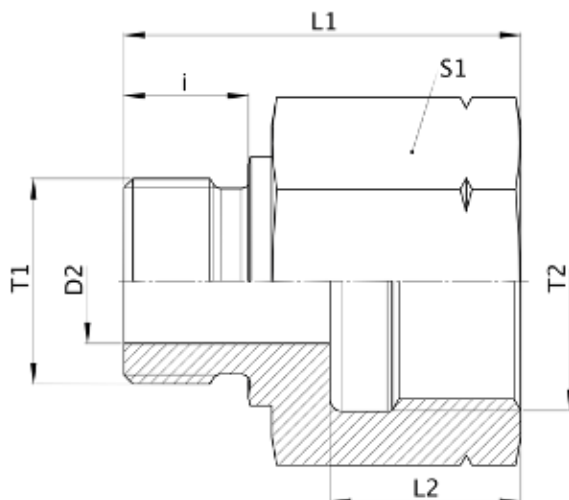
Type	T1	T2	D2 (mm)	L1 (mm)	L2 (mm)	S1 (mm)	i (mm)	PN (bar)
A	G 1" G	G 1/4" G	-	29	12	41	18	315
A	1" G 1"	3/8" G	-	29	12	41	18	315
A	G 1" G	1/2" G	-	29	14	41	18	315
B	1" G 1"	3/4" G	-	38	16	41	18	315
B	G 1.1/4"	1.1/4" G	20	57	26.5	55	18	250
B	G 1.1/4"	1.1/2" G	20	59	28.5	60	18	250
A	G 1.1/4"	1/2" G	-	32	14	50	20	315
A	G 1.1/4"	3/4" G	-	32	16	50	20	315
B	G 1.1/2"	1" G	-	52	24.5	50	20	315
B	G 1.1/2"	1.1/2" G	25	60	28.5	60	20	250
A	G 1.1/2"	1/2" G	-	36	14	55	22	250
A	G 1.1/2"	3/4" G	-	36	16	55	22	250
A	G 2" G	1" G	-	36	18	55	22	250
B	G 2" 2"	1.1/4" G	-	58	26.5	55	22	250
A	G 2" G	1/2" G	-	46	22	75	24	160
A	2"	3/4" G	-	46	25	75	24	160
A	-	G 1.1/4"	-	46	22	75	24	160
A	-	G 1.1/2"	-	46	26.5	75	24	160
B	-	-	-	65	28.5	75	24	160



RI - BSPP - NPT-f

- Straight Reducer / Expander
- Male Thread: BSPP Female
- Thread: NPT Metallic sealing
- edge Form B

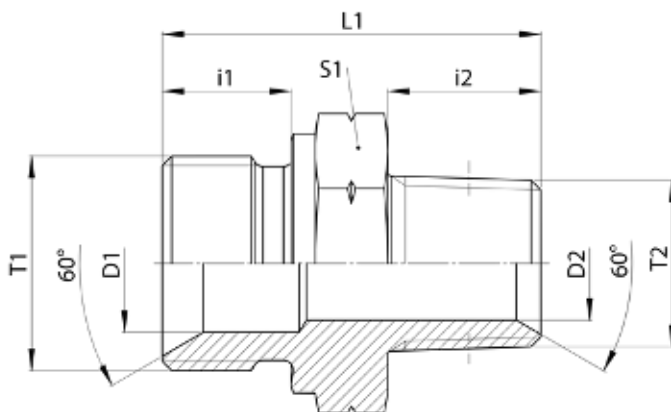
T1	T2	L1 (mm)	L2 (mm)	S1 (mm)	i (mm)	PN (bar)
G 1/8" G	1/4" NPT	31	10	19	8	630
1/4" G	3/8" NPT	38	10.5	24	12	630
1/4" G	1/4" NPT	36	10	19	12	630
1/4" G	1/2" NPT	42	14	30	12	630
3/8" G	1/4" NPT	36	10	22	12	630
3/8" G	3/8" NPT	38	10.5	24	12	630
3/8" G	1/2" NPT	44	14	27	12	630
1/2" G	1/4" NPT	24	10	27	14	400
1/2" G	3/8" NPT	36	10.4	27	14	400
1/2" G	1/2" NPT	38	10.5	24	12	400
1/2" G	3/4" NPT	51	14	36	14	400
3/4" G	1/4" NPT	27	10.5	32	16	400
3/4" G	3/8" NPT	26	10.4	32	16	400
3/4" G	1/2" NPT	42	14	32	16	400
1" G	3/4" NPT	47	14.1	41	18	400
1.1/4" G	3/4" NPT	32	14.1	50	20	400
1.1/4" G	1" NPT	52	16.8	50	20	400
1.1/2" G	1" NPT	42	16.8	55	22	315
1.1/2" G	1.1/4" NPT	58	17.3	55	22	315



AGR - AGN (BSPP - NPT)

- Straight Adapter with 60°
- Cone end Thread: BSPP /
- NPT Metallic sealing edge
- Form B

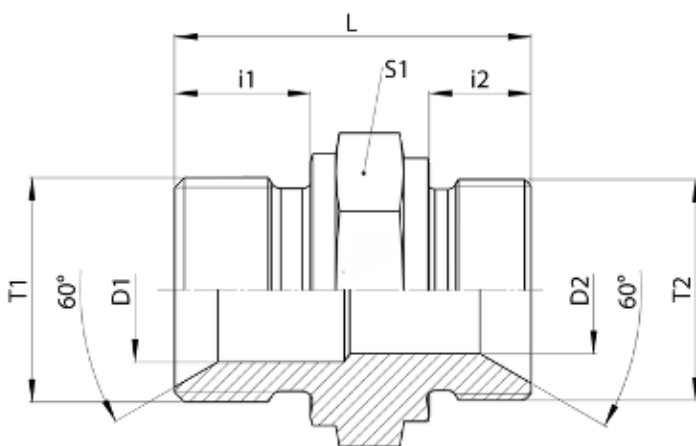
Dash	T1	T2	D1 (mm)	D2 (mm)	L1 (mm)	S1 (mm)	i1 (mm)	i2 (mm)	PN (bar)
-2-2	1/8-BSPP	1/8-NPT	4	5	24	14	8	10	315
-2-4	1/8-BSPP	1/4-NPT	4	7	32	14	8	16	315
-4-2	1/4-BSPP	1/8-NPT	5	5	29	19	11	10	315
-4-4	1/4-BSPP	1/4-NPT	5	7	35.5	19	11	16	315
-4-6	1/4-BSPP	3/8-NPT	5	10	36.5	19	11	16	315
-6-4	3/8-BSPP	1/4-NPT	8	7	38	22	12	16	315
-6-6	3/8-BSPP	3/8-NPT	8	10	38	22	12	16	315
-6-8	3/8-BSPP	1/2-NPT	8	14	43.5	22	12	20	200
-8-4	1/2-BSPP	1/4-NPT	11	7	40	27	14	16	200
-8-6	1/2-BSPP	3/8-NPT	11	10	40.5	27	14	16	200
-8-8	1/2-BSPP	1/2-NPT	11	14	46	27	14	20	200
-8-12	1/2-BSPP	3/4-NPT	11	18	47	27	14	20	200
-12-6	3/4-BSPP	3/8-NPT	15	10	40	27	16	16	200
-12-8	3/4-BSPP	1/2-NPT	17	14	48	32	16	20	200
-12-12	3/4-BSPP	3/4-NPT	17	18	49	32	16	20	200
-12-16	3/4-BSPP	1-NPT	17	24	54	36	16	25	120
-16-12	1-BSPP	3/4-NPT	22	18	52	41	19	20	120
-16-16	1-BSPP	1-NPT	24	24	57	41	19	25	120
-20-16	1.1/4BSPP	1-NPT	29	24	62	50	20	25	105
-20-20	1.1/4BSPP	1.1/4-NPT	29	32	63	50	20	26	105
-24-24	1.1/2BSPP	1.1/2-AGN	33	38	66	55	22	26	105
-32-32	2-BSPP	2-NPT	46	46	71	70	25	26	105



AGR - AGM(BSPP - Metric)

- Straight Adapter
- with 60° Cone end Thread:
- BSPP / Metric parallel Metallic
- sealing edge Form B

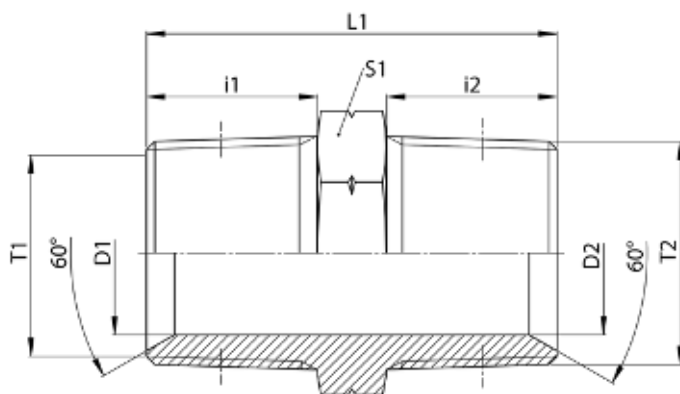
Dash	T1	T2	D1 (mm)	D2 (mm)	L (mm)	S1 (mm)	i1 (mm)	i2 (mm)	PN (bar)
-8-M 12X1.5	1/2-BSPP	M 12 x 1,5	11	4	38	27	14	12	200
-8-M 22X1.5	1/2-BSPP	M 22 x 1,5	11	12	39	27	14	12	200
-8-M 26X1.5	1/2-BSPP	M 26 x 1,5	11	15	39	32	14	12	200
-8-M 30X1.5	1/2-BSPP	M 30 x 1,5	11	19	40	36	14	12	200
-12-M 22X1.5	3/4-BSPP	M 22 x 1,5	17	12	42	32	16	12	200
-12-M 26X1.5	3/4-BSPP	M 26 x 1,5	17	15	42	32	16	12	200
-12-M 30X1.5	3/4-BSPP	M 30 x 1,5	17	19	42	36	16	12	200
-16-M 30X1.5	1-BSPP	M 30 x 1,5	22	19	46	41	19	12	120
-16-M 38X1.5	1-BSPP	M 38 x 1,5	22	25	48	46	19	14	120
-20-M 38X1.5	1.1/4BSPP	M 38 x 1,5	29	25	51	50	20	14	105
-20-M 45X1.5	1.1/4BSPP	M 45 x 1,5	29	32	51	55	20	14	105
-24-M 45X1.5	1.1/2BSPP	M 45 x 1,5	33	32	51	55	22	14	105
-24-M 52X1.5	1.1/2BSPP	M 52 x 1,5	33	39	54	65	22	14	105
-32-M 65X2	2-BSPP	M 65 x 2	46	45	54	75	25	17	70



AGN - AGN (NPT - NPT)

- Straight Adapter
- with 60° Cone end
- Thread: NPT / NPT

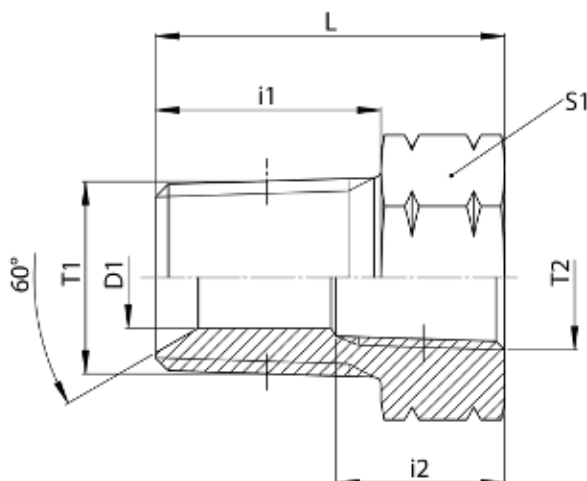
Dash	T1	T2	D1 (mm)	D2 (mm)	L1 (mm)	S1 (mm)	i1 (mm)	i2 (mm)	PN (bar)
-2-2	1/8-NPT	1/8-NPT	5	5	25	11	10	10	315
-4-2	1/4-NPT	1/8-NPT	7	5	32	17	16	10	315
-4-4	1/4-NPT	1/4-NPT	7	7	38	14	16	16	315
-6-4	3/8-NPT	1/4-NPT	10	7	37	19	16	16	315
-6-6	3/8-NPT	3/8-NPT	10	10	39	19	16	16	315
-8-4	1/2-NPT	1/4-NPT	14	7	43	22	20	16	315
-8-8	1/2-NPT	1/2-NPT	14	14	49	22	20	20	200
-8-6	1/2-NPT	3/8-NPT	11	7	43	22	20	16	200
-12-6	3/4-NPT	3/8-NPT	15	7	46	27	20	16	200
-12-8	3/4-NPT	1/2-NPT	18	14	50	27	20	20	200
-12-12	3/4-NPT	3/4-NPT	18	18	50	27	20	20	200
-16-8	1-NPT	1/2-NPT	24	14	55	36	25	20	200
-16-12	1-NPT	3/4-NPT	24	18	53	36	25	20	200
-16-16	1-NPT	1-NPT	24	24	60	36	25	25	120
-20-20	1.1/4NPT	1.1/4-NPT	32	32	66	46	26	26	105
-24-24	1.1/2NPT	1.1/2-AGN	38	38	67	50	26	26	105
-32-32	2-NPT	2-NPT	46	46	68	65	26	26	70



AGN - NPT-f (NPT - NPT-f)

- Straight Adapter with
- 60° Cone end Thread:
- NPT / NPT-f

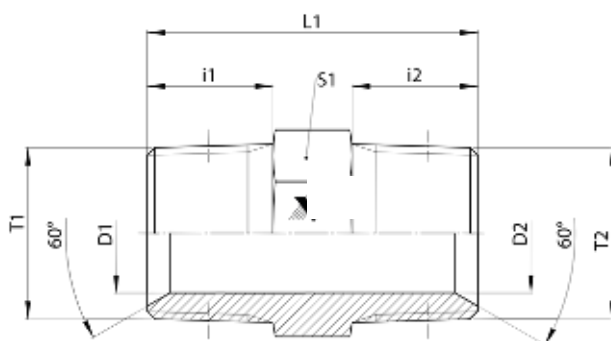
Dash	T1	T2	D1 (mm)	L (mm)	S1 (mm)	i1 (mm)	i2 (mm)	PN (bar)
-2-2	1/8-NPT	1/8-NPT	4	25	14	10	7	630
-2-4	1/8-NPT	1/4-NPT	4	31	19	10	10	630
-2-6	1/8-NPT	3/8-NPT	-	-	-	10	10	315
-2-8	1/8-NPT	1/2-NPT	-	-	-	10	14	315
-4-2	1/4-NPT	1/8-NPT	7	24	17	16	7	315
-4-4	1/4-NPT	1/4-NPT	7	35	19	16	10	315
-4-12	1/4-NPT	3/4-NPT	-	-	-	16	14	315
-6-2	3/8-NPT	1/8-NPT	9	23	19	16	7	315
-6-4	3/8-NPT	1/4-NPT	10	25.5	19	16	10	315
-8-4	1/2-NPT	1/4-NPT	14	29	22	20	10	315
-8-6	1/2-NPT	3/8-NPT	14	29	22	20	10	315
-8-12	1/2-NPT	3/4-NPT	14	49	36	20	14	280
-12-6	3/4-NPT	3/8-NPT	14	30	30	20	10	280
-12-8	3/4-NPT	1/2-NPT	18	30	30	20	14	280
-12-16	3/4-NPT	1-NPT	17	56	41	20	17	210
-16-6	1-NPT	3/8-NPT	24	35	36	25	10	210
-16-8	1-NPT	1/2-NPT	17	35	36	25	14	210
-16-12	1-NPT	3/4-NPT	24	35	36	25	14	210
-20-20	1.1/4NPT	1.1/4NPT	30	55	50	26	17	210
-24-16	1.1/2NPT	1-NPT	37	45	50	26	17	140
-24-20	1.1/2NPT	1.1/4NPT	37	45	50	26	17	105
-24-24	1.1/2NPT	1.1/2NPT	36	63	55	26	17	105



BSPT - BSPT(BSPT - BSPT)

- Straight Adapter
- with 60° Cone end Thread:
- BSPT-m / BSPT-m

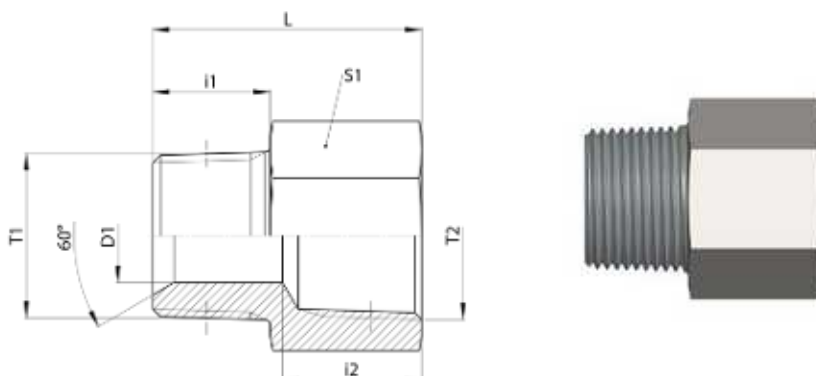
Dash	T1	T2	D1 (mm)	D2 (mm)	L1 (mm)	S1 (mm)	i1 (mm)	i2 (mm)	PN (bar)
-2-2	1/8-BSPT	1/8-BSPT	5	5	27	11	10	10	315
-4-2	1/4-BSPT	1/8-BSPT	7	5	32	14	15	10	315
-4-4	1/4-BSPT	1/4-BSPT	7	7	37	14	15	15	315
-6-4	3/8-BSPT	1/4-BSPT	10	7	37	17	15	15	315
-6-6	3/8-BSPT	3/8-BSPT	10	10	37	17	15	15	315
-8-4	1/2-BSPT	1/4-BSPT	14	7	44	22	19	15	200
-8-6	1/2-BSPT	3/8-BSPT	14	10	43	22	19	15	200
-8-8	1/2-BSPT	1/2-BSPT	14	14	48	22	19	19	200
-12-8	3/4-BSPT	1/2-BSPT	18	14	48	27	19	19	200
-12-12	3/4-BSPT	3/4-BSPT	18	18	50	27	19	19	200
-16-6	1-BSPT	3/8-BSPT	24	10	49	36	24	15	120
-16-8	1-BSPT	1/2-BSPT	24	14	53	36	24	19	120
-16-12	1-BSPT	3/4-BSPT	24	18	53	36	24	19	120
-16-16	1-BSPT	1-BSPT	24	24	60	36	24	24	120
-20-20	1.1/4-BSPT	1.1/4-BSPT	32	32	63	46	25	25	105
-24-24	1.1/2-BSPT	1.1/2-BSPT	38	38	65	50	26	26	105
-32-12	2-BSPT	3/4-BSPT	46	18	65	65	26	19	100
-32-32	2-BSPT	2-BSPT	46	-	38	65	26	26	100



BSPT - BSPT-f (BSPT - BSPT-f)

- Straight Adapter with
- 60° Cone end Thread:
- BSPT-m / BSPT-f

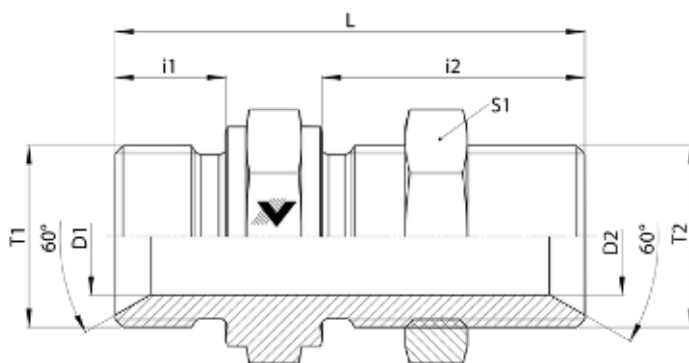
Dash	T1	T2	D1 (mm)	L (mm)	S1 (mm)	i1 (mm)	i2 (mm)	PN (bar)
-2-2	1/8-BSPT	1/8-BSPT	5	26	17	10	9	315
-2-4	1/8-BSPT	1/4-BSPT	5	31	19	10	14	315
-2-6	1/8-BSPT	3/8-BSPT	5	32	22	10	14	315
-2-8	1/8-BSPT	1/2-BSPT	5	38	27	10	19	315
-4-2	1/4-BSPT	1/8-BSPT	7	22	17	15	9	315
-4-4	1/4-BSPT	1/4-BSPT	7	33	19	15	14	315
-4-6	1/4-BSPT	3/8-BSPT	7	37	22	15	14	315
-4-8	1/4-BSPT	1/2-BSPT	7	43	27	15	19	315
-4-12	1/4-BSPT	3/4-BSPT	7	45	32	15	20	200
-6-2	3/8-BSPT	1/8-BSPT	10	23	19	15	9	315
-6-4	3/8-BSPT	1/4-BSPT	10	28	19	15	14	315
-6-6	3/8-BSPT	3/8-BSPT	10	37	22	15	14	315
-6-8	3/8-BSPT	1/2-BSPT	10	43	27	15	19	315
-6-12	3/8-BSPT	3/4-BSPT	10	43	32	15	20	200
-8-4	1/2-BSPT	1/4-BSPT	14	28	22	19	14	315
-8-6	1/2-BSPT	3/8-BSPT	14	30	22	19	14	315
-8-8	1/2-BSPT	1/2-BSPT	14	43.5	27	19	19	315
-8-12	1/2-BSPT	3/4-BSPT	14	49	32	19	20	200
-8-16	1/2-BSPT	1-BSPT	14	56	41	19	19	120
-12-6	3/4-BSPT	3/8-BSPT	18	29	30	19	14	200
-12-8	3/4-BSPT	1/2-BSPT	18	30	30	19	19	200
-12-12	3/4-BSPT	3/4-BSPT	18	43.5	32	19	20	200
-12-16	3/4-BSPT	1-BSPT	18	56	41	19	19	120
-16-8	1-BSPT	1/2-BSPT	24	34	36	24	19	120
-16-12	1-BSPT	3/4-BSPT	24	35	36	24	20	120
-16-16	1-BSPT	1-BSPT	24	60	41	24	19	120
-20-16	1.1/4-BSPT	1-BSPT	32	63	46	25	19	105



AGS (BSPP Bulkhead)

- Straight Bulkhead
- Adapter with 60° Cone
- end Thread: BSPP Metallic
- sealing edge Form B

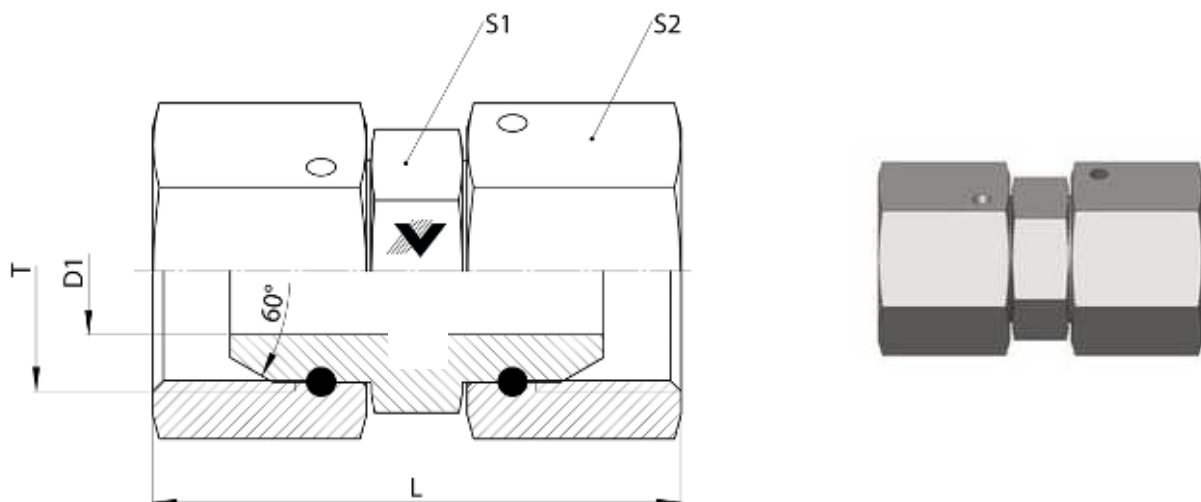
Dash	T1	T2	D1 (mm)	D2 (mm)	l (mm)	S1 (mm)	i1 (mm)	i2 (mm)	PN (bar)
-4	1/4-BSPP	1/4-BSPP	5	5	49	19	11	28	350
-6	3/8-BSPP	3/8-BSPP	8	8	55	22	12	32	350
-8	1/2-BSPP	1/2-BSPP	11	11	62	27	14	35	200
-10	5/8-BSPP	5/8-BSPP	14	14	64	30	16	35	200
-12	3/4-BSPP	3/4-BSPP	17	17	68	32	16	38	200
-16	1-BSPP	1-BSPP	22	22	75	41	19	41	120
-20	1.1/4BSPP	1.1/4BSPP	29	29	81	50	20	44	105
-24	1.1/2BSPP	1.1/2BSPP	33	33	88	55	22	48	105



DKR - DKR(BSPP-f - BSPP-f)

- Straight Adapter
- with 60° Cone end
- Thread: BSPP

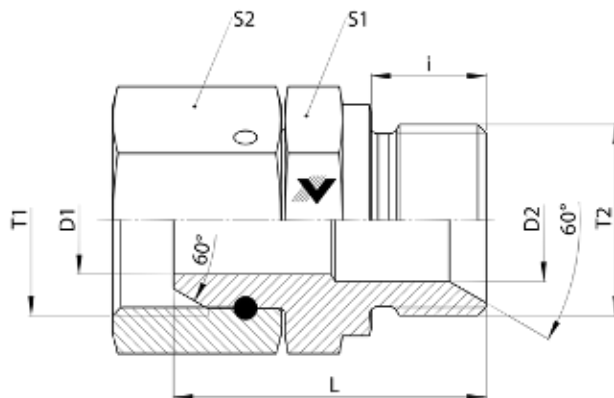
Dash	T	D1 (mm)	L (mm)	S1 (mm)	S2 (mm)	PN (bar)
-4-4	1/4-BSPP	4	33	12	17	350
-6-6	3/8-BSPP	7	33	17	22	350
-8-8	1/2-BSPP	10	38	19	27	200
-12-12	3/4-BSPP	15	41	27	32	200
-16-16	1-BSPP	21	40	32	41	120
-20-20	1-1/4 BSPP	28	48	41	50	105
-24-24	1-1/2 BSPP	32	51	46	55	105
-32-32	2-BSPP	45	66	60	70	70



DKR - AGR (BSPP-f - BSPP)

- Straight Adapter with
- 60° Cone end Thread:
- BSPP Metallic sealing
- edge Form B

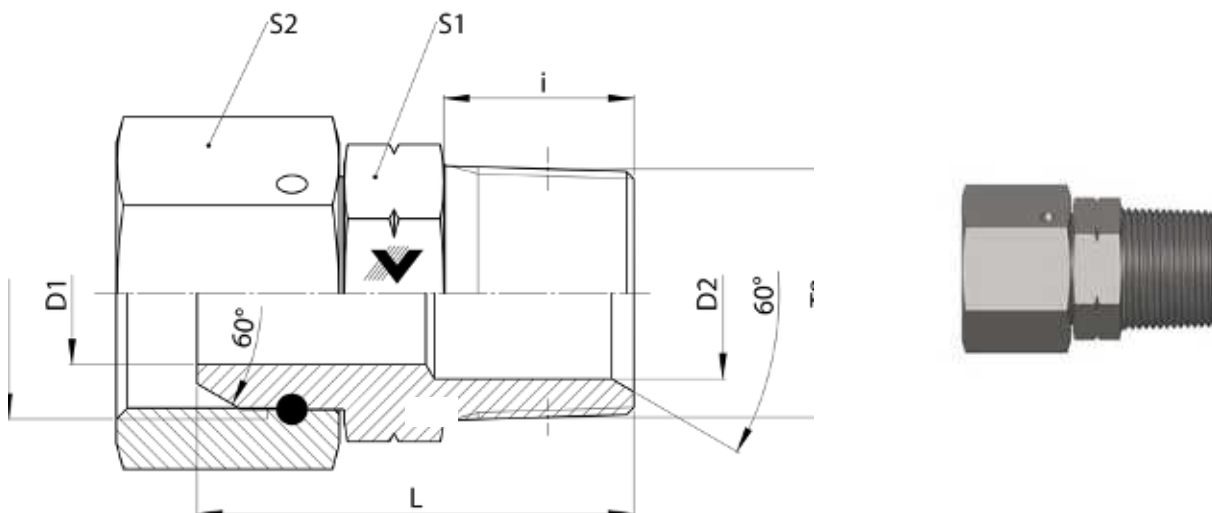
Dash	T1	T2	D1 (mm)	D2 (mm)	L (mm)	S1 (mm)	S2 (mm)	i (mm)	PN (bar)
-4-2	1/4-BSPP	1/8-BSPP	4	4	28	17	14	8	350
-4-4	1/4-BSPP	1/4-BSPP	4	5	31.5	17	19	8	350
-6-4	3/8-BSPP	1/4-BSPP	7	5	31.5	22	19	11	350
-6-6	3/8-BSPP	3/8-BSPP	7	8	33	22	22	11	350
-8-6	1/2-BSPP	3/8-BSPP	10	8	36.5	27	22	12	200
-8-8	1/2-BSPP	1/2-BSPP	10	11	39	27	27	12	200
-12-8	3/4-BSPP	1/2-BSPP	15	11	41	32	27	14	200
-12-12	3/4-BSPP	3/4-BSPP	15	17	43	32	32	14	200
-16-8	1-BSPP	1/2-BSPP	-	-	-	-	-	16	120
-16-12	1-BSPP	3/4-BSPP	21	17	43.5	41	32	14	120
-16-16	1-BSPP	1-BSPP	21	22	46.5	41	41	16	120
-20-16	1-1/4 BSPP	1-BSPP	28	22	52	50	41	19	105
-20-20	1-1/4 BSPP	1-1/4 BSPP	28	29	53	50	50	19	105
-24-20	1-1/2 BSPP	1-1/4 BSPP	32	29	55.5	55	50	20	105
-24-24	1-1/2 BSPP	1-1/2 BSPP	32	33	57.5	55	55	20	105
-32-24	2-BSPP	1-1/2 BSPP	45	33	61.5	70	60	22	70
-32-32	2-BSPP	2-BSPP	45	46	65	70	70	22	70



DKR - AGN(BSPP-f - NPT)

- Straight Adapter
- with 60° Cone end
- Thread: BSPP / NPT

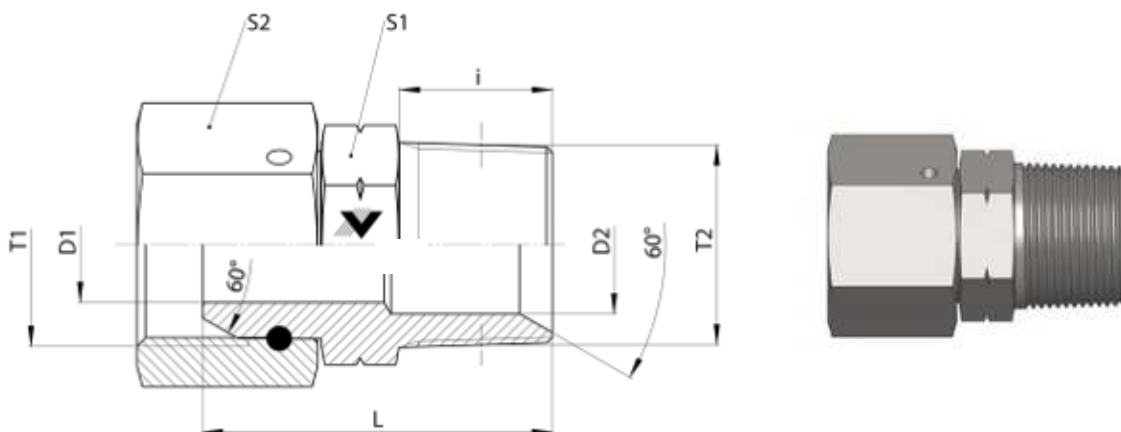
Dash	T1	T2	D1 (mm)	D2 (mm)	L (mm)	S1 (mm)	S2 (mm)	i (mm)	PN (bar)
-2-2	1/8-BSPP	1/8-NPT	4	4	25	12	14	10	350
-4-4	1/4-BSPP	1/4-NPT	4	7	35.5	14	17	15.5	350
-4-6	1/4-BSPP	3/8-NPT	5	10	32	19	19	15.5	350
-6-4	3/8-BSPP	1/4-NPT	7	7	33.6	17	22	15.5	350
-6-6	3/8-BSPP	3/8-NPT	7	10	37	19	22	15.5	350
-6-8	3/8-BSPP	1/2-NPT	8	14	40.8	22	22	20	350
-8-6	1/2-BSPP	3/8-NPT	10	10	34.8	19	27	15.5	350
-8-8	1/2-BSPP	1/2-NPT	10	14	44	22	27	20	200
-12-12	3/4-BSPP	3/4-NPT	15	18	46	27	32	20	200
-16-16	1-BSPP	1-NPT	21	24	50.5	36	41	25	120
-20-20	1.1/4-BSPP	1.1/4-NPT	28	32	59	46	50	26	105
-24-24	1.1/2-BSPP	1.1/2-AGN	32	38	61.5	50	55	26	105
-32-32	2-BSPP	2-NPT	45	46	66.5	60	70	26	70



DKR - BSPT(BSPP-f - BSPT)

- Straight Adapter
- with 60° Cone end
- Thread: BSPP / BSPT

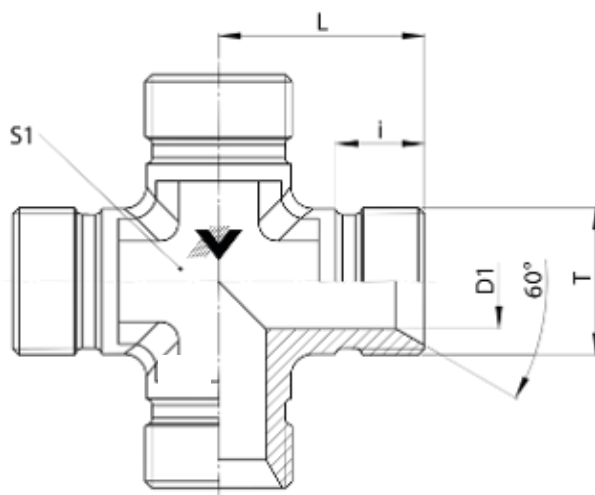
Dash	T1	T2	D1 (mm)	D2 (mm)	L (mm)	S1 (mm)	S2 (mm)	i (mm)	PN (bar)
-2-2	1/8-BSPP	1/8-NPT	4	4	25	12	14	10	350
-4-4	1/4-BSPP	1/4-NPT	4	7	35.5	14	17	15.5	350
-4-6	1/4-BSPP	3/8-NPT	5	10	32	19	19	15.5	350
-6-4	3/8-BSPP	1/4-NPT	7	7	33.6	17	22	15.5	350
-6-6	3/8-BSPP	3/8-NPT	7	10	37	19	22	15.5	350
-6-8	3/8-BSPP	1/2-NPT	8	14	40.8	22	22	20	350
-8-6	1/2-BSPP	3/8-NPT	10	10	34.8	19	27	15.5	350
-8-8	1/2-BSPP	1/2-NPT	10	14	44	22	27	20	200
-12-12	3/4-BSPP	3/4-NPT	15	18	46	27	32	20	200
-16-16	1-BSPP	1-NPT	21	24	50.5	36	41	25	120
-20-20	1.1/4BSPP	1.1/4-NPT	28	32	59	46	50	26	105
-24-24	1.1/2BSPP	1.1/2-AGN	32	38	61.5	50	55	26	105
-32-32	2-BSPP	2-NPT	45	46	66.5	60	70	26	70



KAGR (BSPP)

- Cross Adapter with
- 60° Cone end
- Thread: BSPP

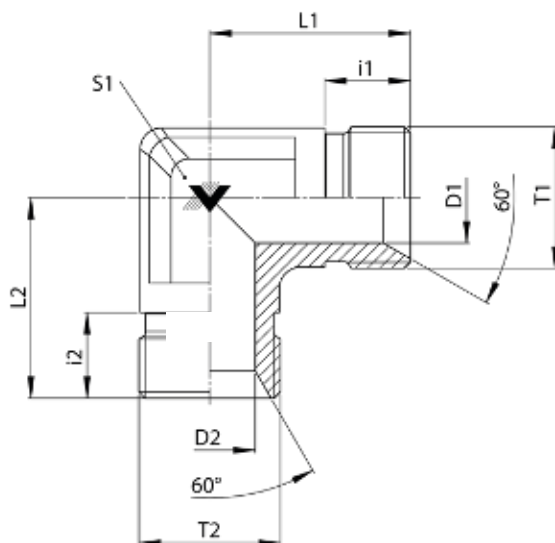
Dash	T	D1 (mm)	L (mm)	S1 (mm)	i (mm)	PN (bar)
-2	1/4-BSPP	4	17	12	8	350
-4	1/4-BSPP	5	24	14	11	350
-6	3/4-BSPP	8	26	17	12	350
-8	1/2-BSPP	11	31	19	14	200
-12	3/4-BSPP	17	36	27	16	200
-16	1-BSPP	22	42	36	19	120
-20	1-1/4 BSPP	29	48	41	20	105
-24	1-1/2 BSPP	33	54	50	22	105



AGR - AGR - 90° (BSPP - BSPP)

- Elbow Adapter with
- 60° Cone end
- Thread: BSPP

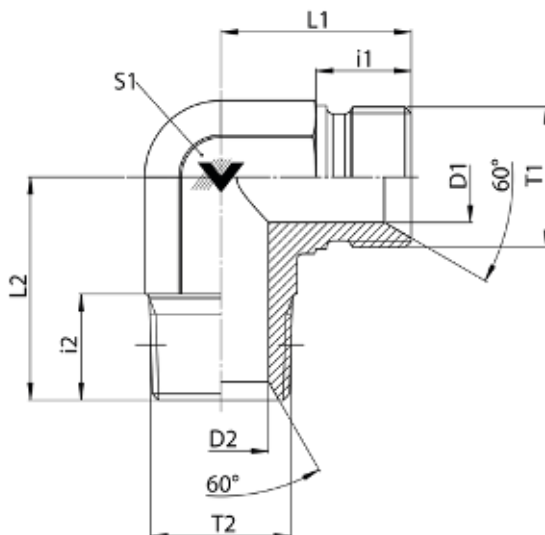
Dash	T1	T2	D1 (mm)	D2 (mm)	L1 (mm)	L2 (mm)	S1 (mm)	i1 (mm)	i2 (mm)	PN (bar)
-2-2	1/8-BSPP	1/8-BSPP	4	4	17	17	11	8	8	350
-4-2	1/4-BSPP	1/8-BSPP	5	4	24	24	14	11	8	350
-4-4	1/4-BSPP	1/4-BSPP	5	5	24	24	14	11	11	350
-6-4	3/8-BSPP	1/4-BSPP	8	5	27	27	19	12	11	350
-6-6	3/8-BSPP	3/8-BSPP	8	8	27	27	19	12	12	350
-8-4	1/2-BSPP	1/4-BSPP	11	5	32	32	22	14	11	200
-8-8	1/2-BSPP	1/2-BSPP	11	11	32	32	22	14	14	200
-12-12	3/4-BSPP	3/4-BSPP	17	17	36	36	27	16	16	200
-16-16	1-BSPP	1-BSPP	22	22	42	42	33	19	19	120
-20-20	1-1/4 BSPP	1-1/4 BSPP	29	29	48	48	41	20	20	105
-24-24	1-1/2 BSPP	1-1/2 BSPP	33	33	54	54	48	22	22	105
-32-32	2-BSPP	2-BSPP	46	46	70	70	65	25	25	70



AGR - AGN - 90°(BSPP - NPT 90)

- Elbow Adapter
- with 60° Cone end
- Thread: BSPP / NPT

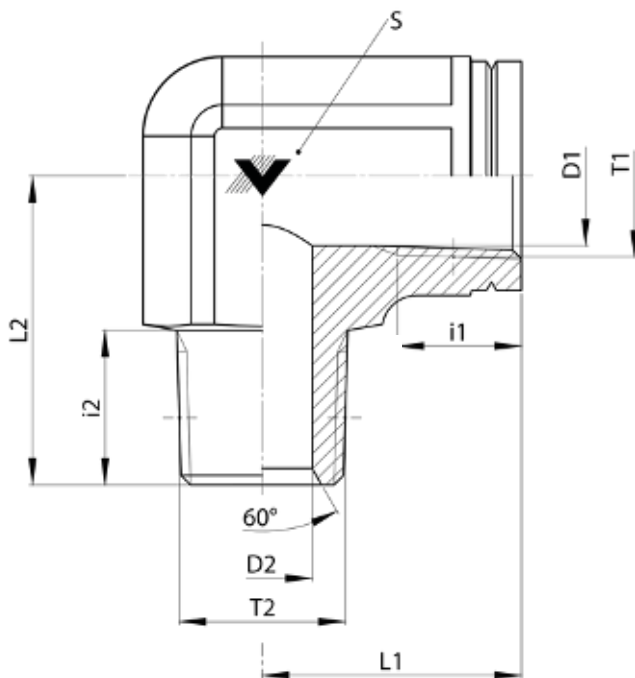
Dash	T1	T2	D1 (mm)	D2 (mm)	L1 (mm)	L2 (mm)	S1 (mm)	i1 (mm)	i2 (mm)	PN (bar)
-2-2	1/8-BSPP	1/8-NPT	4	5	17	20	11	8	10	350
-4-4	1/4-BSPP	1/4-NPT	5	7	24	28	14	11	16	350
-6-6	3/8-BSPP	3/8-NPT	8	10	27	31	19	12	16	350
-8-8	1/2-BSPP	1/2-NPT	11	14	32	37	22	14	20	200
-12-12	3/4-BSPP	3/4-NPT	17	18	36	42	27	16	20	200
-16-16	1-BSPP	1-NPT	22	24	42	50	33	19	25	120
-20-20	1.1/4BSPP	1.1/4-NPT	29	32	48	56	41	20	26	105
-24-24	1.1/2BSPP	1.1/2-AGN	33	38	54	59	48	22	26	105
-32-32	2-BSPP	2-NPT	46	46	70	70	65	25	26	70



AGN - NPT-f - 90°(NPT - NPT-f 90)

- Elbow Adapter
- with 60° Cone end
- Thread: NPT / NPT-f

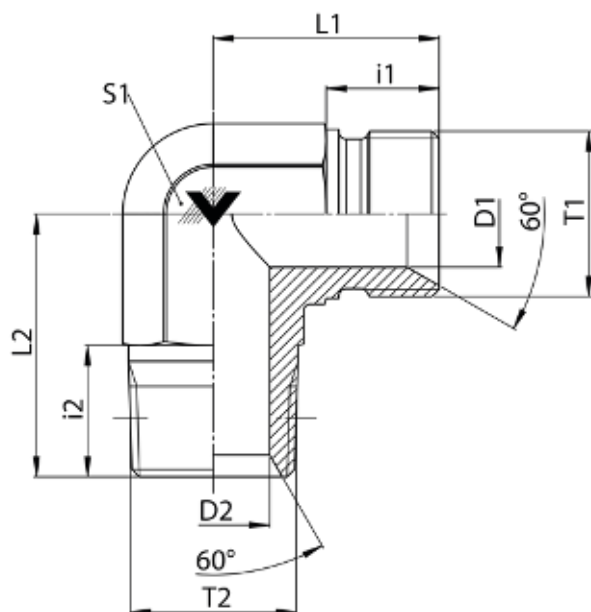
Dash	T1	T2	D1 (mm)	D2 (mm)	L1 (mm)	S1 (mm)	i1(mm)	i2(mm)	PN (bar)
-4-4	1/4-NPT	1/4-NPT	11	7	23	-	16	10	-
-6-6	3/8-NPT	3/8-NPT	14	10	27	-	16	10	-
-8-8	1/2-NPT	1/2-NPT	18	14	32	-	20	14	-
-12-12	3/4-NPT	3/4-NPT	18	-	35	-	20	14	210
-16-16	1-NPT	1-NPT	24	-	41	-	25	17	120
-20-20	1.1/4NPT	1.1/4NPT	32	-	43	-	26	17	100



AGR - BSPT - 90°(BSPP - BSPT 90)

- Elbow Adapter
- with 60° Cone end
- Thread: BSPP / BSPT

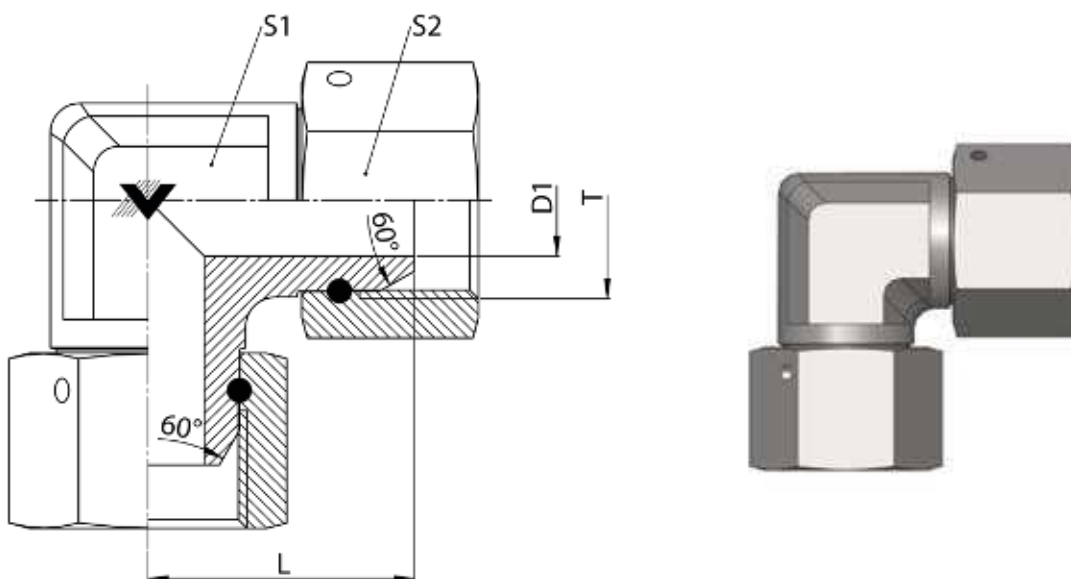
Dash	T1	T2	D1 (mm)	D2 (mm)	L1 (mm)	L2 (mm)	S1 (mm)	i1 (mm)	i2(mm)	PN (bar)
-2-2	1/8-BSPP	1/8-BSPT	4	5	17	20	12	8	10	350
-4-4	1/4-BSPP	1/4-BSPT	5	7	24	28	14	11	1515	350
-6-6	3/8-BSPP	3/8-BSPT	8	10	27	31	19	12	15	350
-8-8	1/2-BSPP	1/2-BSPT	11	14	32	37	22	14	19	350
-12-12	3/4-BSPP	3/4-BSPT	17	18	36	42	27	16	19	200
-16-16	1-BSPP	1-BSPT	22	24	42	50	33	19	24	120
-20-20	1.1/4BSPP	1.1/4-BSPT	29	32	48	56	41	20	25	105
-24-24	1.1/2BSPP	1.1/2BSPT	33	38	54	59	48	22	26	105
-32-32	2-BSPP	2-BSPT	46	40	70	70	65	25	30	70



DKR - DKR - 90°(BSPP-f - BSPP-f 90)

- Elbow Adapter
- with 60° Cone end
- Thread: BSPP

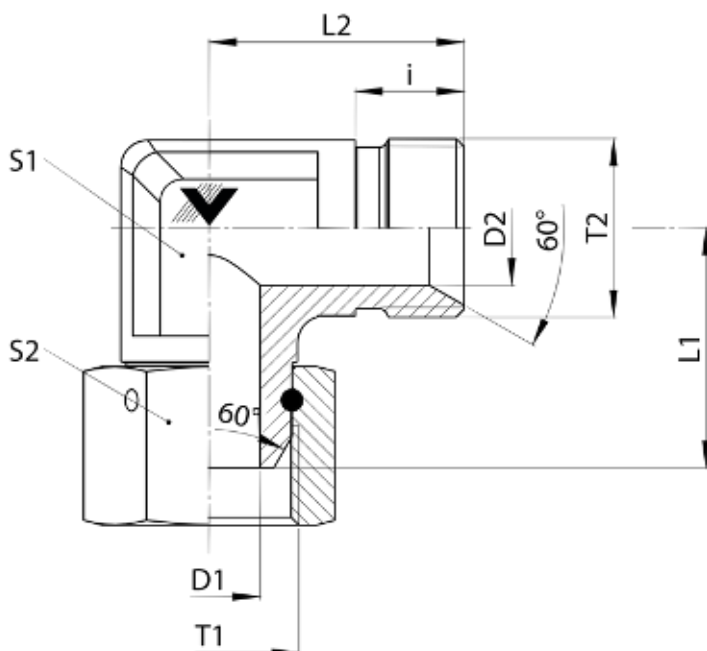
Dash	T1	D1 (mm)	L (mm)	S1 (mm)	S2 (mm)	PN (bar)
-2-2	1/8-BSPP	3	18	11	14	350
-4-4	1/4-BSPP	4	25	14	17	350
-6-6	3/8-BSPP	7	36	19	22	350
-8-8	1/2-BSPP	10	32	22	27	200
-10-10	5/8-BSPP	13	30	22	30	200
-12-12	3/4-BSPP	15	33	27	32	200
-16-16	1-BSPP	21	38	33	41	120
-20-20	1.1/4BSPP	28	48	41	50	105
-24-24	1.1/2BSPP	32	50	48	55	105
-32-32	2-BSPP	45	70	65	70	70



DKR - AGR - 90°(BSPP-f - BSPP)

- Elbow Adapter
- with 60° Cone
- end Thread: BSPP

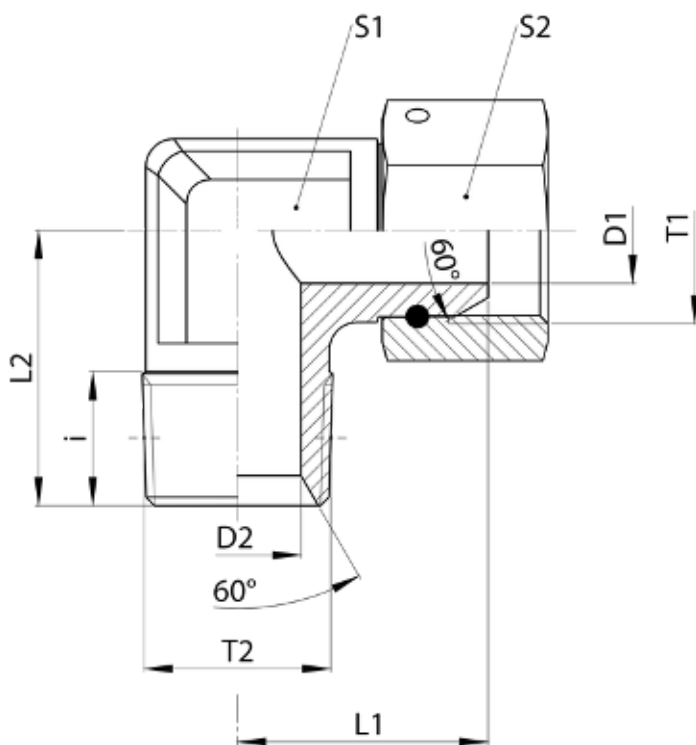
Dash	T1	T2	D1 (mm)	D2 (mm)	L1 (mm)	L2(mm)	S1 (mm)	S2 (mm)	i (mm)	PN (bar)
-2-2	1/8-BSPP	1/8-BSPP	3	4	18	18	11	14	8	350
-4-4	1/4-BSPP	1/4-BSPP	4	5	25	25	14	17	11	350
-6-6	3/8-BSPP	3/8-BSPP	7	8	26	26	19	22	12	350
-8-8	1/2-BSPP	1/2-BSPP	11	11	30	30	19	27	14	200
-10-10	5/8-BSPP	5/8-BSPP	13	14	30	31	22	30	16	200
-12-12	3/4-BSPP	3/4-BSPP	15	17	33	33	27	32	16	200
-16-16	1-BSPP	1-BSPP	21	22	38	38	33	41	19	120
-20-20	1.1/4BSPP	1.1/4-BSPP	28	29	48	48	41	50	20	105
-24-24	1.1/2BSPP	1.1/2-BSPP	32	33	50	50	48	55	22	105
-32-32	2-BSPP	2-BSPP	45	46	70	70	65	70	25	70



DKR - AGN - 90°(BSPP-f - NPT)

- Elbow Adapter
- with 60° Cone end
- Thread: BSPP / NPT

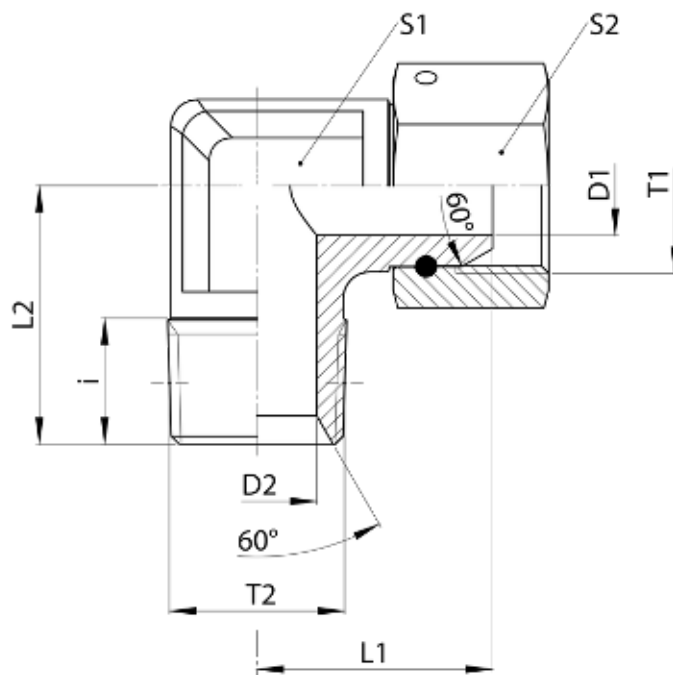
Dash	T1	T2	D1 (mm)	D2 (mm)	L1(mm)	L2 (mm)	S1 (mm)	S2 (mm)	i (mm)	PN (bar)
-2-2	1/8-BSPP	1/8-NPT	3	5	18	20	11	14	10	350
-4-4	1/4-BSPP	1/4-NPT	4	7	25	28	14	17	15.5	350
-6-6	3/8-BSPP	3/8-NPT	7	10	26	31	19	22	15.5	350
-8-8	1/2-BSPP	1/2-NPT	15	18	33	42	22	27	20	200
-12-12	3/4-BSPP	3/4-NPT	15	18	33	42	27	32	20	200
-16-16	1-BSPP	1-NPT	21	24	38	50	33	41	25	120
-20-20	1.1/4BSPP	1.1/4-NPT	28	32	48	56	41	50	26	105
-24-24	1.1/2-BSPP	1.1/2-AGN	32	38	50	59	48	55	26	105
-32-32	2-BSPP	2-NPT	45	46	70	70	65	70	26	70



DKR - BSPT - 90° (BSPP-f - BSPT 90)

- Elbow Adapter with
- 60° Cone end
- Thread: BSPP / BSPT

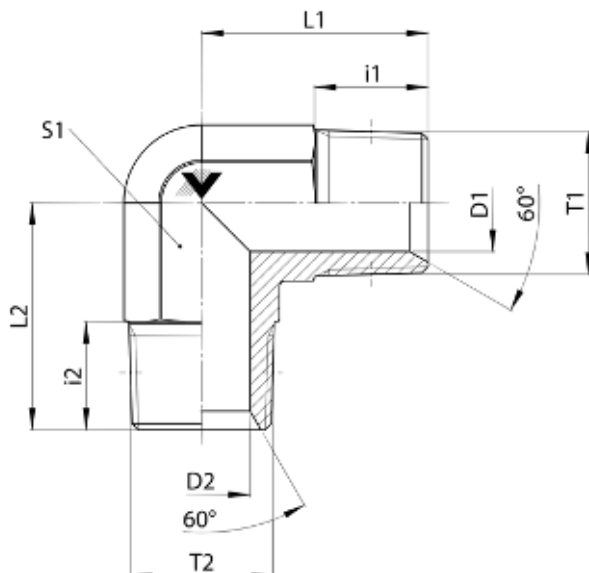
Dash	T1	T2	D1 (mm)	D2 (mm)	L1 (mm)	L2 (mm)	S1 (mm)	S2 (mm)	i (mm)	PN (bar)
-2-2	1/8-BSPP	1/8-BSPT	3	5	18	20	11	14	10	350
-4-4	1/4-BSPP	1/4-BSPT	4	7	25	28	14	17	15	350
-6-6	3/8-BSPP	3/8-BSPT	7	10	26	31	19	22	15	350
-8-8	1/2-BSPP	1/2-BSPT	10	14	30	37	22	27	19	200
-12-12	3/4-BSPP	3/4-BSPT	15	18	33	42	27	32	20	200
-16-16	1-BSPP	1-BSPT	21	24	38	50	33	41	24	120
-20-20	1.1/4 BSPP	1.1/4 BSPT	28	32	48	56	41	50	26	105
-24-24	1.1/2 BSPP	1.1/2 BSPT	32	38	50	59	48	55	26	105
-32-32	2-BSPP	2-BSPT	45	46	70	70	65	70	30	70



BSPT - BSPT - 90° (BSPT - BSPT 90)

- Elbow Adapter
- with 60° Cone
- end Thread: BSPT

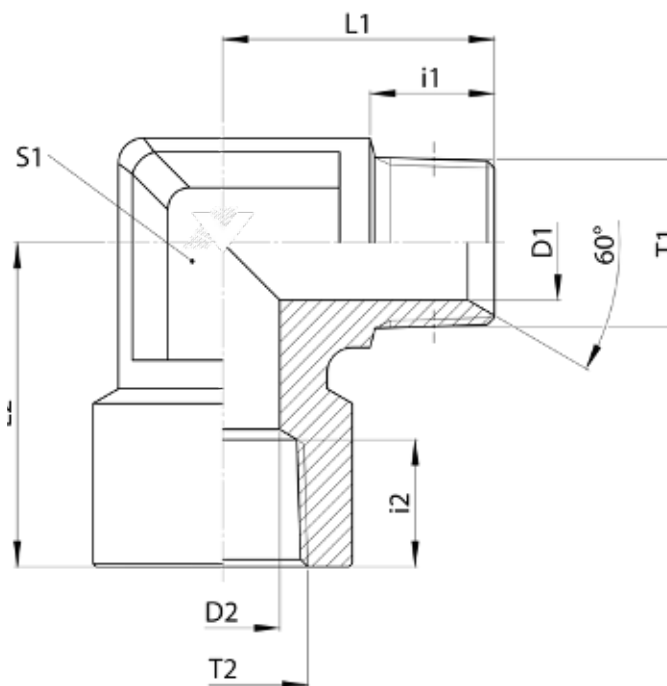
Dash	T1	T2	D1 (mm)	D2 (mm)	L1 (mm)	L2 (mm)	S1 (mm)	i1 (mm)	i2 (mm)	PN (bar)
-2-2	1/8-BSPP	1/8-BSPT	5	5	20	20	11	10	10	350
-4-4	1/4-BSPP	1/4-BSPT	7	7	28	28	14	15	15	350
-6-6	3/8-BSPP	3/8-BSPT	10	10	31	31	19	15	15	350
-8-8	1/2-BSPP	1/2-BSPT	14	14	37	37	22	19	19	200
-12-12	3/4-BSPP	3/4-BSPT	18	18	42	42	27	16	19	200
-16-16	1-BSPP	1-BSPT	24	24	47	50	33	24	24	120
-20-20	1.1/4 BSPP	1.1/4 BSPT	32	32	52	56	41	25	25	105
-24-24	1.1/2 BSPP	1.1/2 BSPT	38	38	59	59	48	26	26	105
-32-32	2-BSPP	2-BSPT	46	46	70	70	65	26	26	70



BSPT - BSPT-f - 90° (BSPT - BSPT-f 90)

- Elbow Adapter
- with 60° Cone end
- Thread: BSPT

Dash	T1	T2	D1 (mm)	D2 (mm)	L1 (mm)	L2 (mm)	S1 (mm)	i1 (mm)	i2 (mm)	PN (bar)
-4-4	1/4-BSPT	1/4-BSPT	7	7	28	22	19	15	14	315
-6-6	3/8-BSPT	3/8-BSPT	10	10	31	26	22	15	14	315
-8-8	1/2-BSPT	1/2-BSPT	14	14	37	32	27	19	19	315
-12-12	3/4-BSPT	3/4-BSPT	18	18	40	36	33	19	20	200
-16-16	1-BSPT	1-BSPT	24	24	50	43	41	24	19	120
-20-20	1.1/4BSPT	1.1/4BSPT	32	32	61	49	50	25	21	105

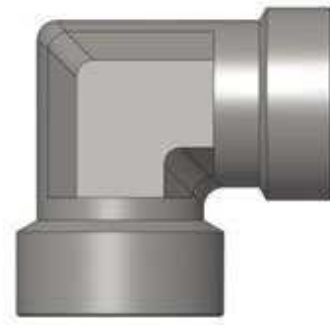
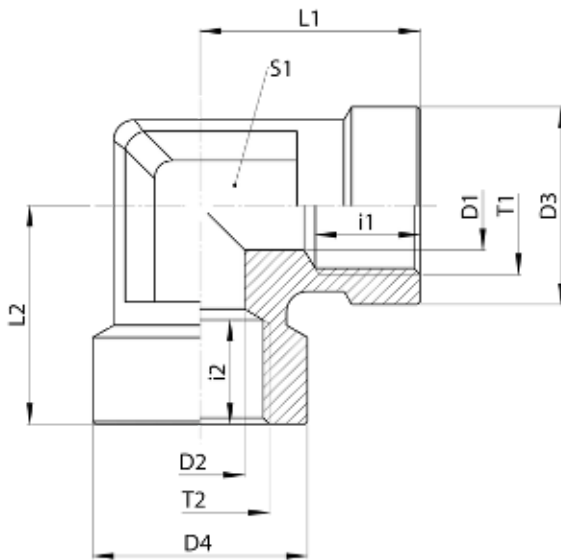


BSPP-f - BSPP-f - 90° (BSPP-f - BSPP-f 90)

■ Elbow Adapter

■ Thread: BSPP

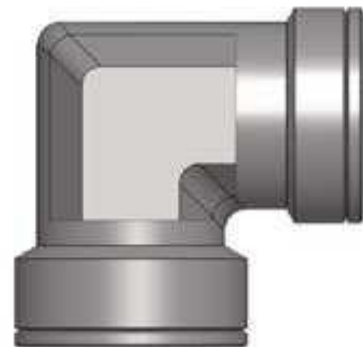
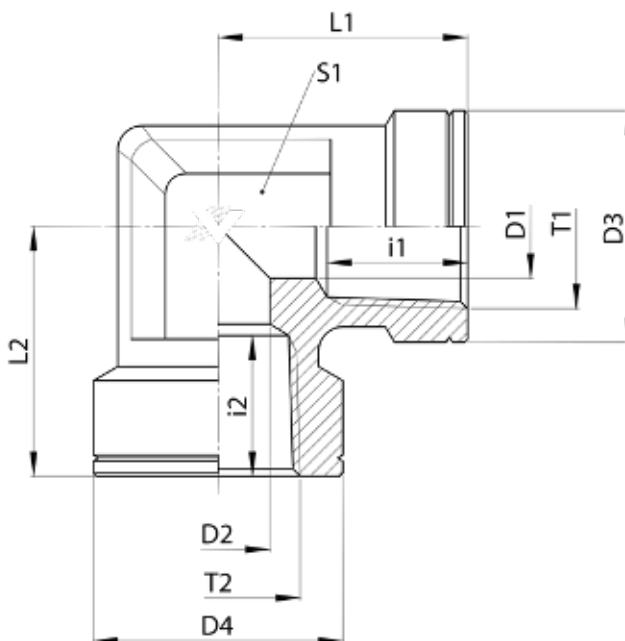
Dash	T1	T2	D1 (mm)	D2 (mm)	D3 (mm)	D4 (mm)	L1 (mm)	L2 (mm)	S1 (mm)	i1 (mm)	i2 (mm)	PN (bar)
-2-2	1/8-BSPP	1/8-BSPP	4	4	16.9	16.9	17	17	14	9	9	315
-4-4	1/4-BSPP	1/4-BSPP	5	5	22	22	22	22	19	14	14	315
-6-6	3/8-BSPP	3/8-BSPP	8	8	24.8	24.8	26	26	22	14	14	315
-8-8	1/2-BSPP	1/2-BSPP	11	11	29.7	29.7	32	32	27	16	16	315
-12-12	3/4-BSPP	3/4-BSPP	17	17	36.9	36.9	36	36	33	16	16	200
-16-16	1-BSPP	1-BSPP	22	22	45	45	43	43	41	19	19	120
-24-24	1.1/4BSPP	1.1/4BSPP	29	29	51	51	49	49	48	20	20	105



NPT-f - NPT-f - 90° (NPT-f - NPT-f 90)

- Elbow Adapter
- Thread: NPT

Dash	T1	T2	D1 (mm)	D2 (mm)	D3 (mm)	D4 (mm)	L1 (mm)	L2 (mm)	S1 (mm)	i1 (mm)	i2 (mm)	PN (bar)
-2-2	1/8NPT	1/8NPT	5	5	16	16	20	20	14	7	7	315
-4-4	1/4NPT	1/4NPT	11	11	20	20	22	22	19	12	10	315
-6-6	3/8NPT	3/8NPT	15	15	23	23	26	26	22	12	10	315
-8-8	1/2NPT	1/2NPT	18	18	28	28	31	31	27	14	14	200
-12-12	3/4NPT	3/4NPT	23	23	34	34	35	35	32	16	14	200
-16-16	1-NPT	1-NPT	29	29	43	43	41	41	41	19	17	120

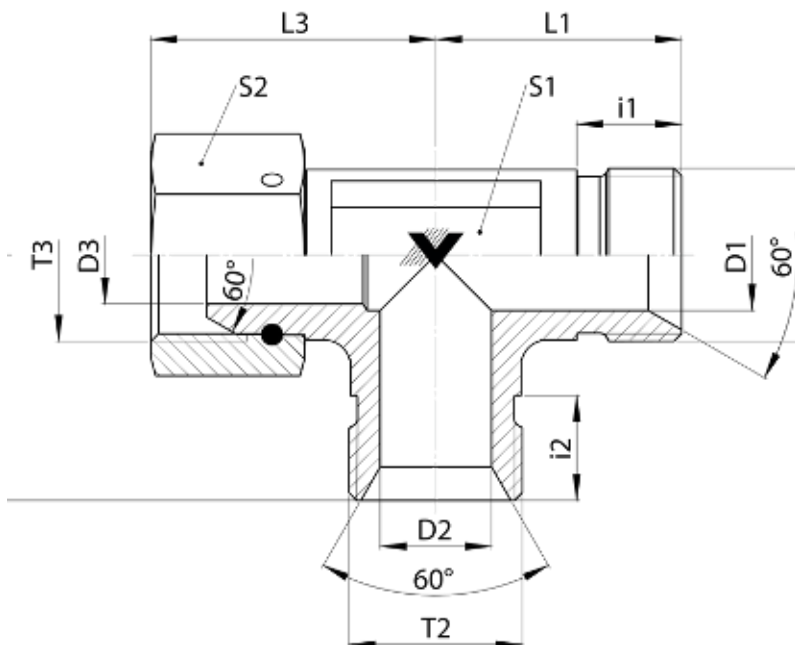


LAGR - AGR - DKR(BSPP - BSPP - BSPP-f)

- L-Adapter
- with 60° Cone end
- Thread: BSPP

Dash	T1	T3	D1(mm)	D2(mm)	D3(mm)	L1(mm)	L2(mm)	L3(mm)	S1(mm)	S2(mm)	i1(mm)	i2(mm)	i2(mm)	PN (bar)
-2	1/8-BSPP	1/8" BSPP-F	4	4	1.5	17	17	18	11	14	8	8	8	350
-4	1/4-BSPP	1/4" BSPP-F	5	5	2	24	24	25	14	17	11	11	11	350
-6	3/8-BSPP	3/8" BSPP-F	8	8	7	27	27	26	19	22	12	12	12	350
-8	1/2-BSPP	1/2" BSPP-F	11	11	10	30	530	531	19	27	14	14	14	200
-12	3/4-BSPP	3/4" BSPP-F	17	17	15	37	537	535	27	32	16	16	16	200
-16	1-BSPP	1" BSPP-F	22	22	21	42	42	38	33	41	19	19	19	120
-20	1.1/4BSPP	1.1/4" BSPP-F	29	29	28	48	48	48	41	50	20	20	20	105
-24	1.1/2BSPP	1.1/2" BSPP-F	33	33	32	54	54	50	48	55	22	22	22	105
-32	2-BSPP	2" BSPP-F	46	46	45	70	70	70	65	70	25	25	25	70

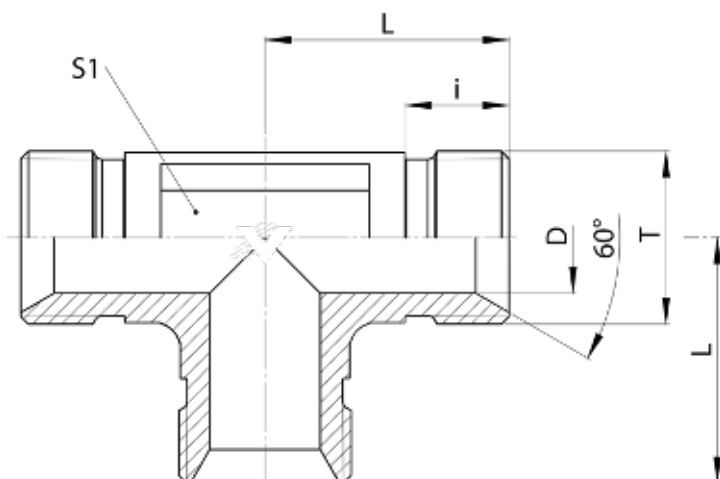
T1=T2



TAGR (BSPP)

- T-Adapter with
- 60° Cone end
- Thread: BSPP

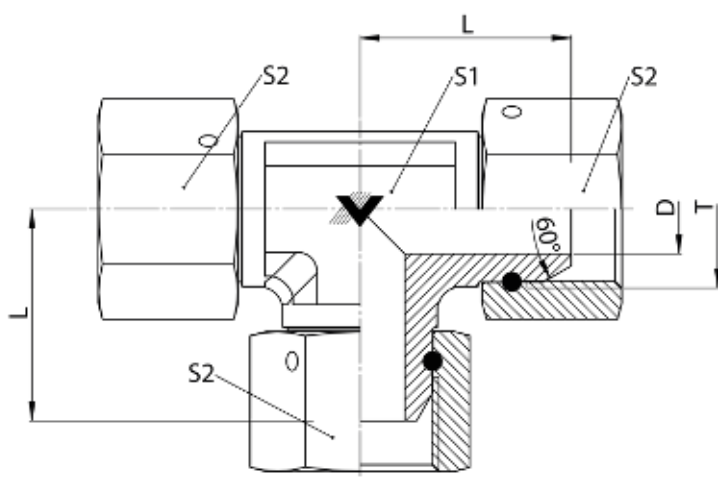
Dash	T	D (mm)	L (mm)	S1 (mm)	i (mm)	PN (bar)
-2	1/8-BSPP	4	17	11	8	350
-4	1/4-BSPP	5	24	14	11	350
-6	3/8-BSPP	7.9	30	19	12	350
-8	1/2-BSPP	11	32	22	14	200
-12	3/4-BSPP	17	36	27	16	200
-16	1-BSPP	22	42	33	19	120
-20	1.1/4-BSPP	29	48	41	20	105
-24	1.1/2-BSPP	33	54	48	22	105
-32	2-BSPP	46	70	65	25	70



TDKR (BSPP-f)

- T-Adapter with
- 60° Cone end
- Thread: BSPP

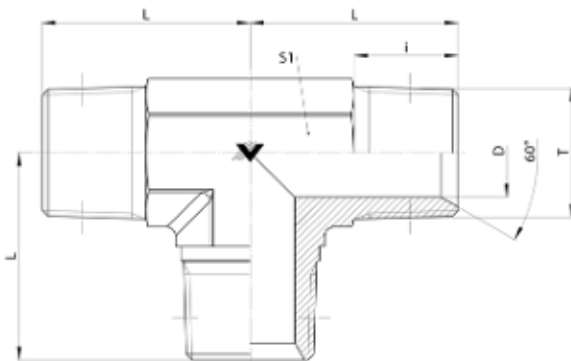
Dash	T	D (mm)	L (mm)	S1 (mm)	S2 (mm)	PN (bar)
-2	1/8-BSPP	3	18	11	14	350
-4	1/4-BSPP	4	25	14	17	350
-6	3/8-BSPP	7	26	19	22	350
-8	1/2-BSPP	10	32	22	27	200
-12	3/4-BSPP	15	33	27	32	200
-16	1-BSPP	21	38	33	41	120
-20	1.1/4-BSPP	28	48	41	50	105
-24	1.1/2-BSPP	32	50	48	55	105
-32	2-BSPP	45	70	65	70	70



TAGN (NPT)

- T-Adapter with
- 60° Cone end
- Thread: NPT

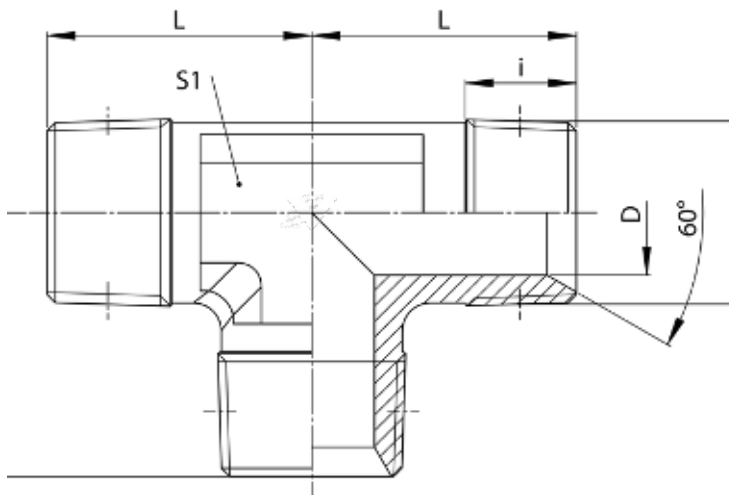
Dash	T	D (mm)	L (mm)	S1 (mm)	i (mm)	PN (bar)
-2	1/8-NPT	5	20	11	10	350
-4	1/4-NPT	7	28	14	15.5	350
-6	3/8-NPT	10	31	19	15.5	350
-8	1/2-NPT	14	37	22	20	200
-12	3/4-NPT	18	42	27	20	200
-16	1-NPT	24	50	33	25	120
-20	1.1/4-NPT	32	52	41	26	105
-24	1.1/2-NPT	38	59	48	26	105
-32	2-NPT	46	70	65	26	70



TBSPT (BSPT)

- T-Adapter with
- 60° Cone end
- Thread: BSPT

Dash	T	D (mm)	L (mm)	S1 (mm)	i (mm)	PN (bar)
-2	1/8-BSPT	5	20	11	10	350
-4	1/4-BSPT	7	25	14	15	350
-6	3/8-BSPT	10	31	19	15	350
-8	1/2-BSPT	14	37	22	19	200
-12	3/4-BSPT	18	42	27	19	200
-16	1-BSPT	24	50	33	24	120
-20	1.1/4BSPT	32	52	41	25	105
-24	1.1/2BSPT	38	59	48	26	105
-32	2-BSPT	46	70	65	26	70

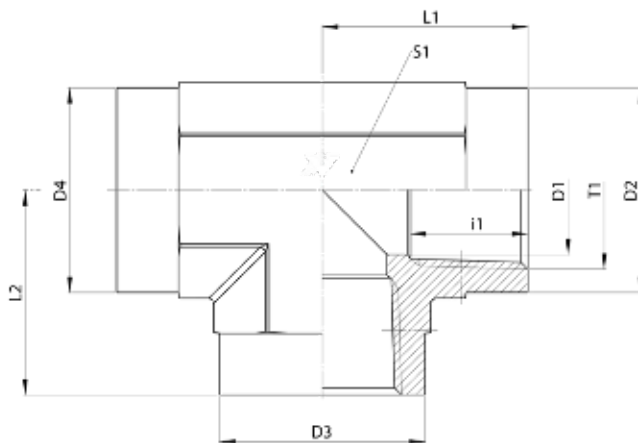


TBSPT-f (BSPT-f)

- T-Adapter with
- 60° Cone end
- Thread: BSPT

Dash	T1	D1 (mm)	D2 (mm)	L1 (mm)	S1 (mm)	i1 (mm)	PN (bar)
-2	1/8-BSPT	7	16	17	14	9	315
-4	1/4-BSPT	10	19	22	19	14	315
-6	3/8-BSPT	13	22	26	22	14	315
-8	1/2-BSPT	17	27	31	27	19	200
-12	3/4-BSPT	22	35	35	33	20	200
-16	1-BSPT	28	41	41	41	19	120

D2 = D3, D4, L1 = L2

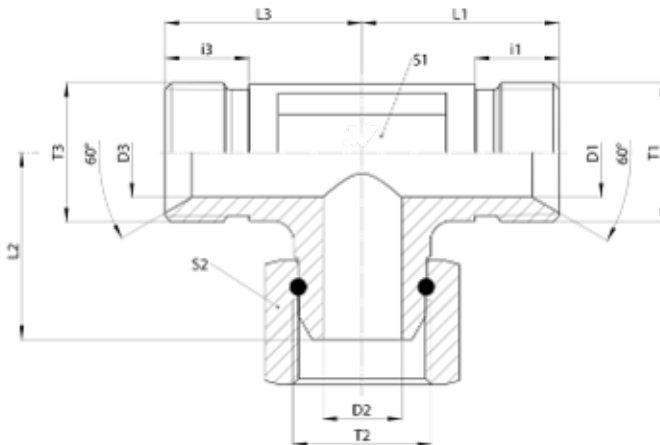


TAGR - DKR - AGR(BSPP - BSPP-f - BSPP)

- T-Adapter
- with 60° Cone
- end Thread: BSPP

Dash	T1	T2	D1 (mm)	D2 (mm)	L1 (mm)	L2 (mm)	S1 (mm)	S2 (mm)	i1 (mm)	PN (bar)
-2	1/8-BSPP	1/8-BSPP	4	3	17	18	11	14	8	350
-4	1/4-BSPP	1/4-BSPP	5	4	24	25	14	17	11	350
-6	3/8-BSPP	3/8-BSPP	8	7	27	26	19	22	12	350
-8	1/2-BSPP	1/2-BSPP	11	10	32	32	22	27	14	200
-12	3/4-BSPP	3/4-BSPP	17	15	36	33	27	32	16	200
-16	1-BSPP	1-BSPP	22	21	42	38	33	41	19	120
-20	1.1/4-BSPP	1.1/4BSPP	29	28	48	48	41	50	20	105
-24	1.1/2-BSPP	1.1/2BSPP	33	32	54	50	48	55	22	105
-32	2-BSPP	2-BSPP	46	45	70	70	65	70	25	70

T3 = T1, D1 = D3, L1 = L3, i1 = i3

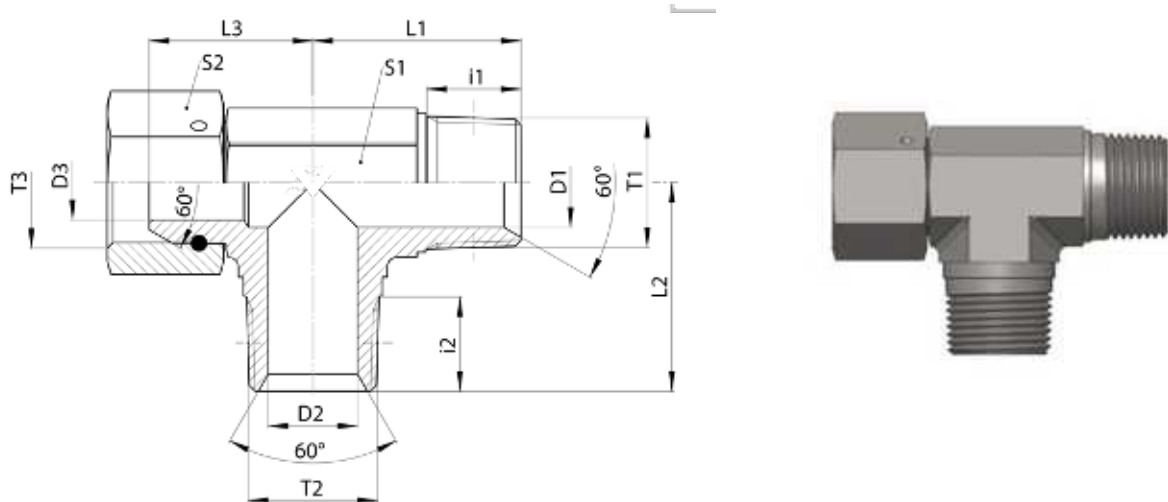


LBSPT - BSPT - DKR (BSPT - BSPT - BSPP-f)

- T-Adapter with 60°
- Cone end Thread:
- BSPT / BSPT / BSPP

Dash	T1	T2	T3	D1 (mm)	D3 (mm)	L1 (mm)	L2 (mm)	L3 (mm)	S1 (mm)	S2 (mm)	i1 (mm)	PN (bar)
-2-2-2	1/8-BSPP	1/8-BSPT	1/8-BSPP	5	3	20	20	18	11	14	10	350
-4-4-4	1/4-BSPP	1/4-BSPT	1/4-BSPP	7	4	28	28	25	14	17	15	350
-6-6-6	3/8-BSPP	3/8-BSPT	3/8-BSPP	10	7	31	31	26	19	22	15	350
-8-8-8	1/2-BSPP	1/2-BSPT	1/2-BSPP	14	10	37	37	32	22	27	19	200
-12-12-12	3/4-BSPP	3/4-BSPT	3/4-BSPP	18	15	42	42	33	27	32	19	200
-16-16-16	1-BSPP	1-BSPT	1-BSPP	24	21	50	50	38	33	41	24	120
-20-20-20	1.1/4-BSPP	1.1/4BSPT	1.1/4BSPP	32	28	52	52	48	41	50	25	105
-24-24-24	1.1/2-BSPP	1.1/2BSPT	1.1/2BSPP	38	32	59	59	50	48	55	26	105
-32-32-32	2-BSPP	2-BSPT	2-BSPP	46	45	70	70	70	65	70	25	70

D1 = D2, L1 = L2, i1 = i2

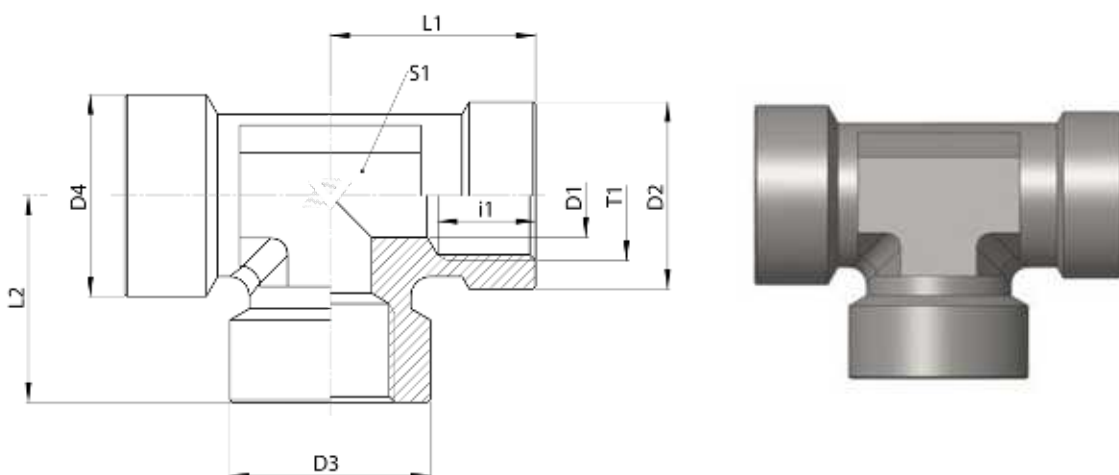


TBSPF-f (BSPP-f)

- T-Adapter
- Thread: BSPP

Dash	T1	D1 (mm)	D2 (mm)	L1 (mm)	S1 (mm)	i1 (mm)	PN (bar)
-2	1/8-BSPP	4	18	17	14	9	315
-4	1/4-BSPP	5	21	22	19	14	315
-6	3/8-BSPP	8	25	26	22	14	315
-8	1/2-BSPP	11	28	32	27	16	200
-12	3/4-BSPP	17	36	36	33	16	200
-16	1-BSPP	22	45	43	41	19	120
-20	1.1/4-BSPP	29	51	49	48	20	120
-24	1.1/2-BSPP	-	-	-	-	23	105
-32	2-BSPP	-	-	-	-	26	70

D2 = D3, D4, L1 = L2

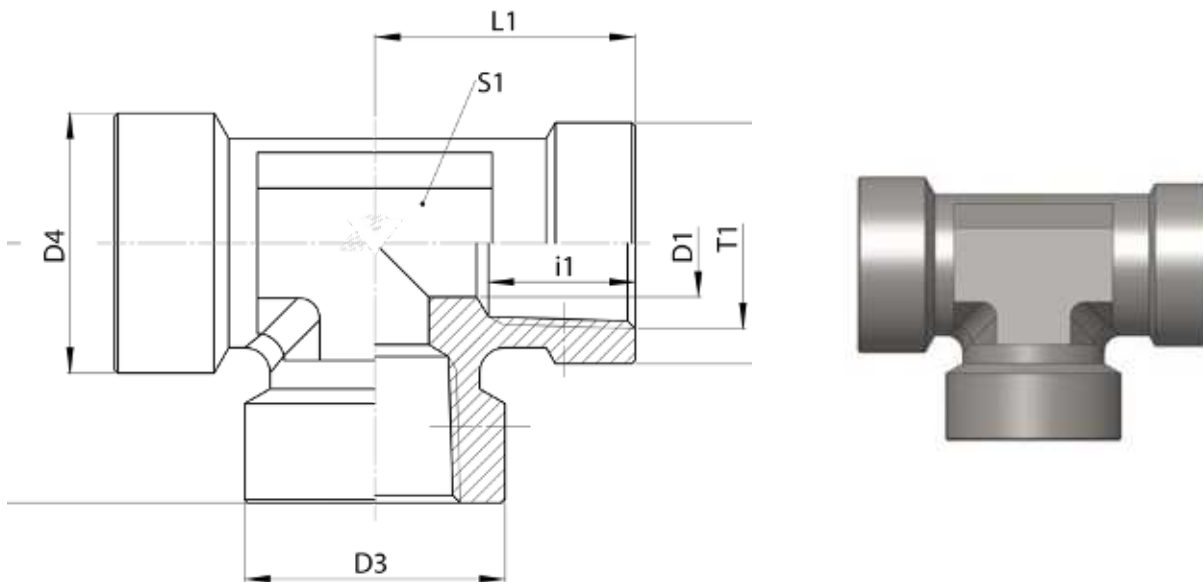


TNPT-f (NPT-f)

- T-Adapter
- Thread: NPT

Dash	T1	D1 (mm)	D2 (mm)	L1 (mm)	S1 (mm)	i1 (mm)	PN (bar)
-2	1/8NPT	7	16	17	14	7	315
-4	1/4NPT	10	19	22	19	10	315
-6	3/8NPT	13	22	26	22	10	315
-8	1/2NPT	17	27	31	27	14	200
-12	3/4NPT	22	35	35	33	14	200
-16	1-NPT	28	41	41	41	17	120

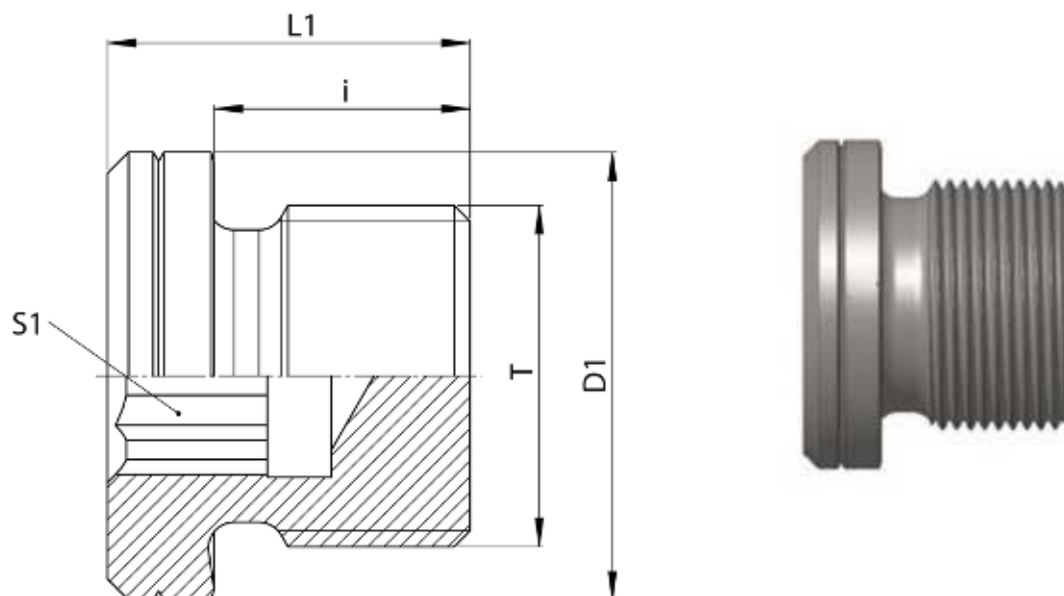
D2 = D3, D4, L1 = L2



VSCH - R

- Blanking Plug for ports
- Thread: BSPP
- Metallic sealing edge form B

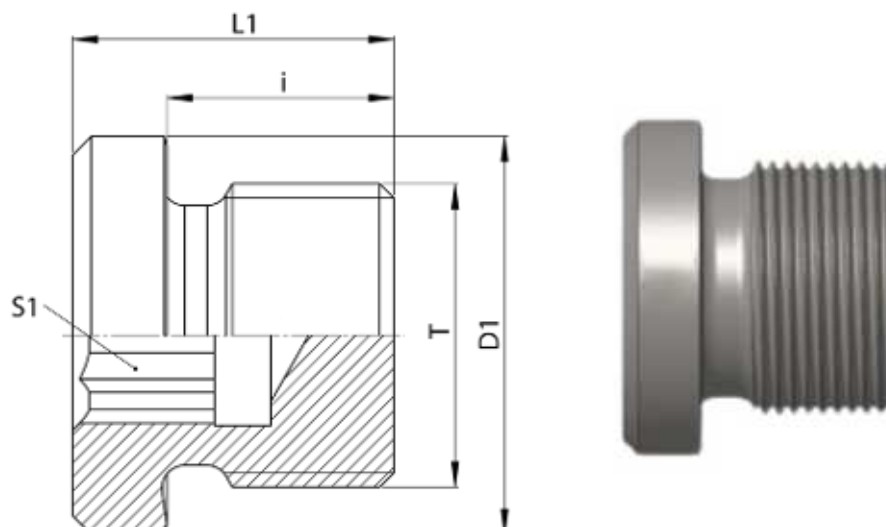
T	D1 (mm)	L1 (mm)	S1 (mm)	i (mm)	PN (bar)
G 1/8" G	14	12	5	8	400
1/4" G	18	17	6	12	400
3/8" G	22	17	8	12	400
1/2" G	26	19	10	14	400
3/4" G	32	21	12	16	400
1" G	39	22.5	17	16	400
1.1/4" G	50	22.5	22	16	250
1.1/2" G	55	22.5	24	16	250



VSCH - M

- Blanking Plug for ports
- Thread: Metric parallel
- Metallic sealing edge form B

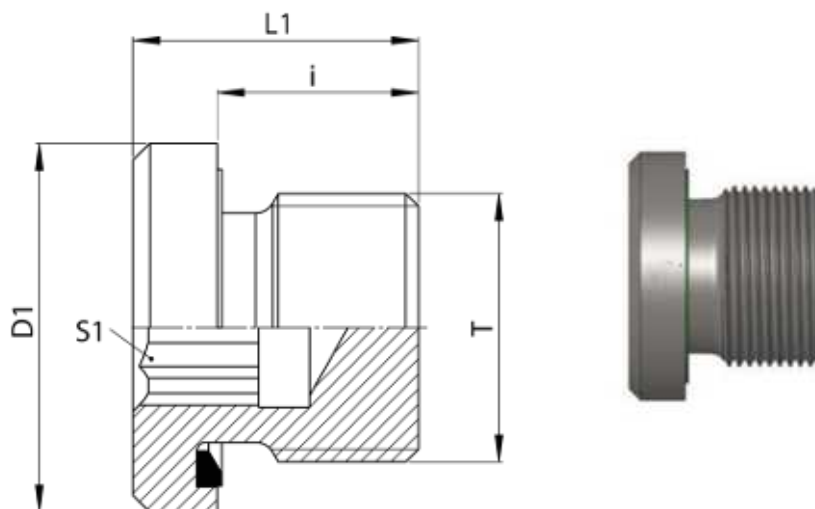
T	D1 (mm)	L1 (mm)	S1 (mm)	i (mm)	PN (bar)
M 10 x 1	14	12	5	8	400
M 12 x 1.5	17	17	6	12	400
M 14 x 1.5	19	17	6	12	400
M 16 x 1.5	21	17	8	12	400
M 18 x 1.5	23	17	8	12	400
M 20 x 1.5	26	19	10	14	400
M 22 x 1.5	27	19	10	14	400
M 26 x 1.5	31	21	12	16	400
M 27 x 2	32	21	12	16	400
M 33 x 2	39	22.5	17	16	400
M 42 x 2	49	22.5	22	16	250
M 48 x 2	55	22.5	24	16	250



VSCH - M - WD

- Blanking Plug for ports
- Thread: Metric parallel
- Sealing by Viton profiled ring DIN 3869

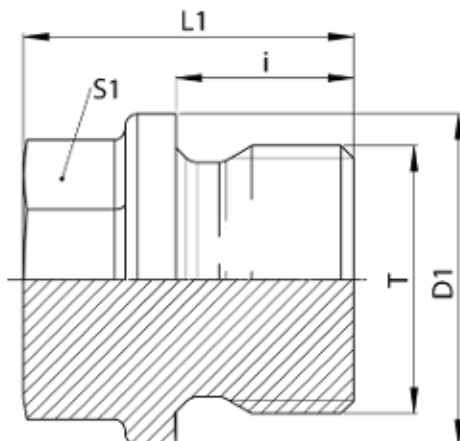
T	D1 (mm)	L1 (mm)	S1 (mm)	i (mm)	PN (bar)
M 8 x 1 M	12	12	4	8	400
10 x 1 M	14	12	5	8	400
12 x 1,5 M	17	17	6	12	400
14 x 1,5 M	19	17	6	12	400
16 x 1,5 M	22	17	8	12	400
18 x 1,5 M	24	17	8	12	400
20 x 1,5 M	26	19	10	14	400
22 x 1,5 M	27	19	10	14	400
26 x 1,5 M	32	21	12	16	400
27 x 2 M	32	21	12	16	400
33 x 2 M	40	22.5	17	16	400
42 x 2 M	50	22.5	22	16	250
48 x 2 M	55	22.5	24	16	250



VSCH - 910

- Blanking Plug DIN 910
- Thread: BSPP Thread:
- Metric parallel Sealing
- bonded washer

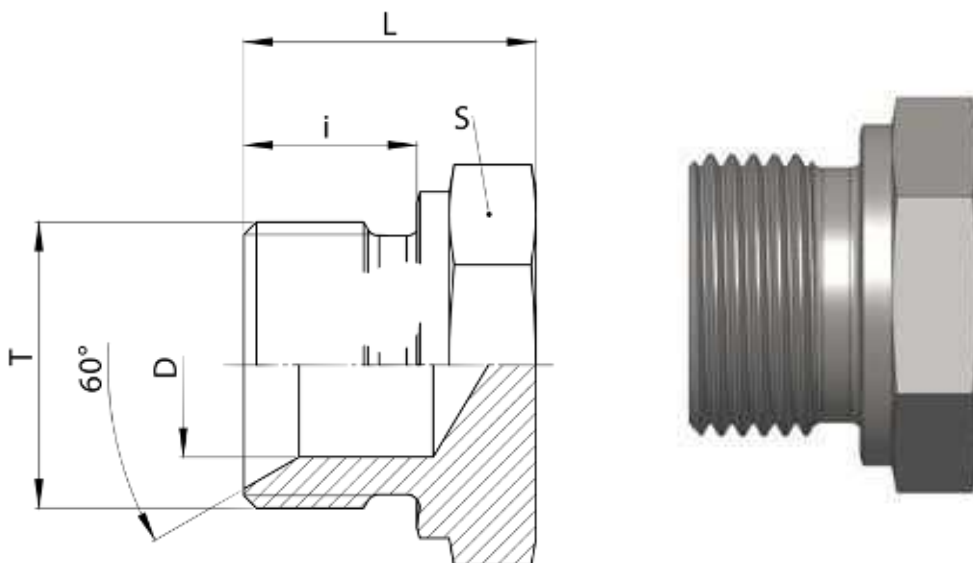
T	D1 (mm)	L1 (mm)	S1 (mm)	i (mm)	PN (bar)
G 1/8" G	14	17	10	8	400
1/4" G	18	17	13	8	400
3/8" G	22	21	17	12	400
1/2" G	26	26	19	14	400
3/4" G	32	30	24	16	400
1" G	39	32	27	16	400
1.1/4" G	49	33	30	16	315
1.1/2" M	55	33	30	18	315
10 x 1 M	14	17	10	8	400
12 x 1,5 M	17	21	13	12	400
14 x 1,5 M	19	21	13	12	400
16 x 1,5 M	21	21	17	12	400
18 x 1,5 M	23	24	17	12	400
20 x 1,5 M	25	26	19	14	400
22 x 1,5 M	27	26	19	14	400
24 x 1,5 M	29	27	22	14	400
26 x 1,5 M	31	30	24	14	400
27 x 2 M	32	30	24	16	400
30 x 2 M	36	30	24	16	400
33 x 2 M	39	32	27	16	400
36 x 2 M	42	32	27	16	315
42 x 2 M	49	33	30	16	315
45 x 2 M	52	33	30	16	315
48 x 2 M	55	33	12	16	315
52 x 2 M	60	33	36	18	315



VSCH - AGR (BSPP)

- Locking Screw
- with 60° Cone end
- Thread: BSPP
- Metallic sealing edge Form B

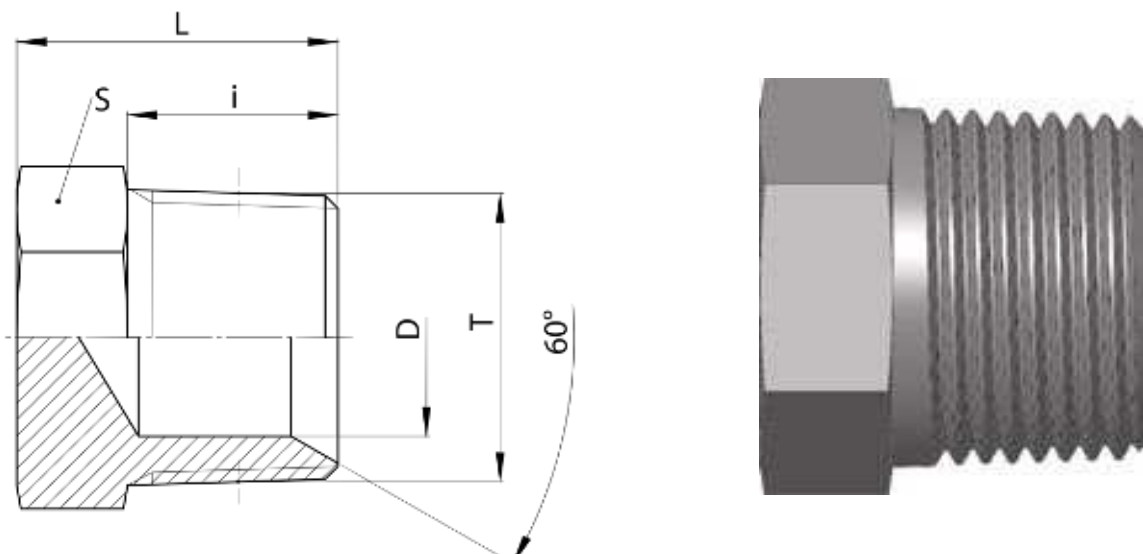
Dash	T	D (mm)	L (mm)	S (mm)	i (mm)	PN (bar)
-2	1/8-BSPP	4	14	14	8	350
-4	1/4-BSPP	5	19	19	11	350
-6	3/8-BSPP	8	21	22	12	350
-8	1/2 -BSPP	11	24	27	14	200
-10	5/8-BSPP	14	27	30	16	200
-12	3/4-BSPP	17	27	32	16	200
-16	1-BSPP	22	31	41	19	120
-20	1.1/4-BSPP	29	34	50	20	105
-24	1.1/2-BSPP	33	37	55	22	105
-32	2-BSPP	46	41	70	25	70



VSCH - BSPT (BSPT)

- Locking Screw with
- 60° Cone end
- Thread: BSPT

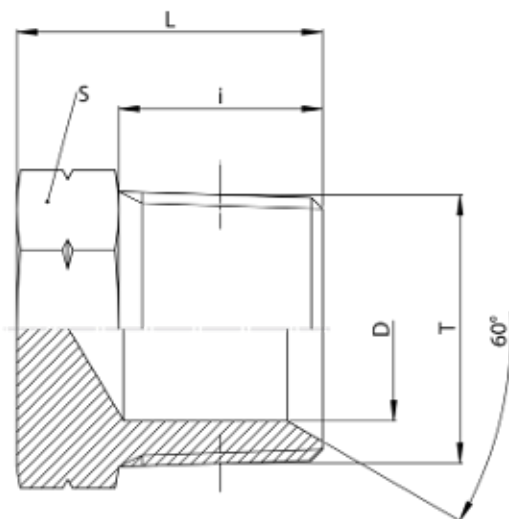
Dash	T	D mm	L mm	S mm	i mm	PNbar
-2	1/8-BSPT	5	15	12	10	350
-4	1/4-BSPT	7	22	14	15	350
-6	3/8-BSPT	10	23	19	15	350
-8	1/2-BSPT	14	28	22	19	200
-12	3/4-BSPT	18	29	27	19	200
-16	1-BSPT	24	34	36	24	120
-20	1.1/4BSPT	32	39	46	25	105
-24	1.1/2BSPT	38	41	50	26	105
-32	2-BSPT	46	46	65	30	70



VSCH - AGN (NPT)

- Locking Screw with
- 60° Cone end
- Thread: NPT

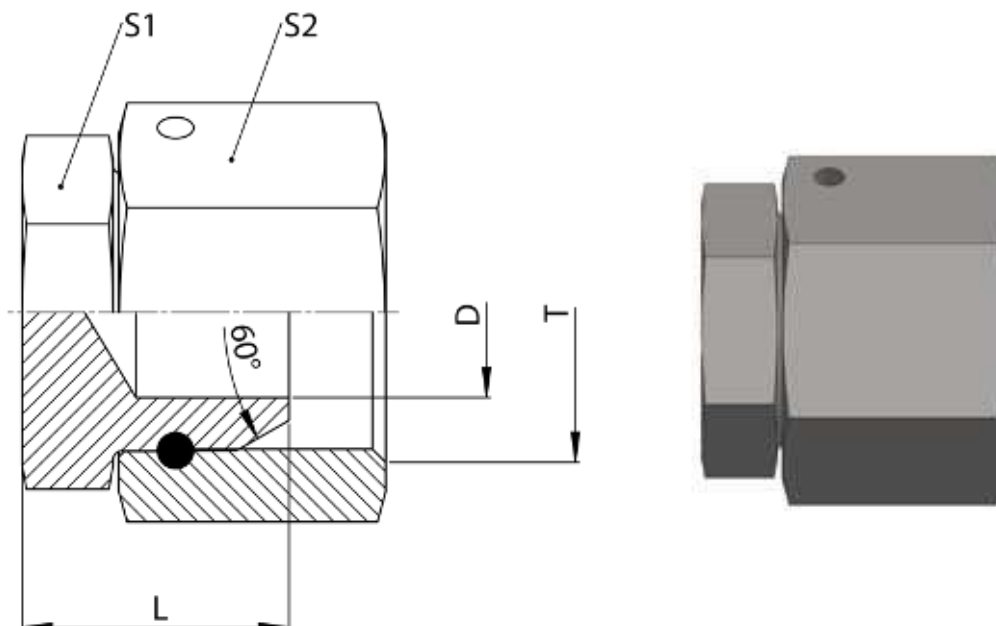
Dash	T	D mm	L mm	S mm	i mm	PN bar
-2	1/8-NPT	5	15	12	10	350
-4	1/4-NPT	7	22,5	14	15,5	350
-6	3/8-NPT	10	23,5	19	15,5	350
-8	1/2-NPT	14	29	22	20	200
-12	3/4-NPT	18	30	27	20	200
-16	1-NPT	24	35	36	25	120
-20	1.1/4NPT	32	40	46	26	105
-24	1.1/2NPT	38	41	50	26	105
-32	2-NPT	46	42	65	26	70



VSTO - DKR (BSPP-f)

- Blanking Plug
- with 60° Cone end
- Thread: BSPP

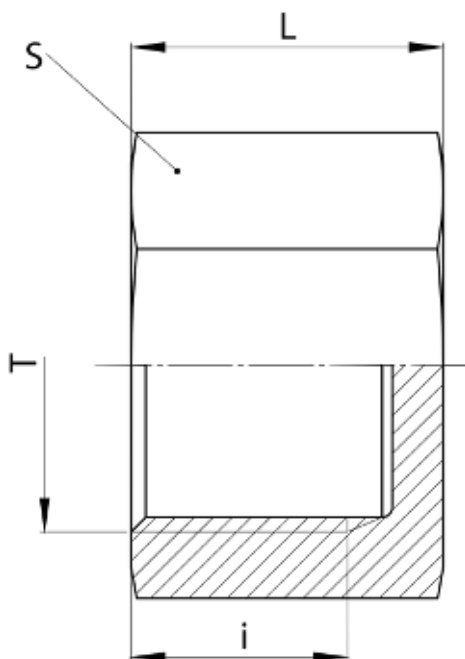
Dash	T	D (mm)	L (mm)	S1 (mm)	S2 (mm)	PN (bar)
-2	1/8-BSPP	3,5	13,5	11	14	350
-4	1/4-BSPP	4	18	12	17	350
-6	3/8-BSPP	7	18	17	22	350
-8	1/2-BSPP	10	21,5	19	27	200
-10	5/8-BSPP	13	21	22	30	200
-12	3/4-BSPP	15	23,5	27	32	200
-16	1-BSPP	21	24	32	41	120
-20	1.1/4BSPP	28	29,5	41	50	105
-24	1.1/2BSPP	32	32	46	55	105
-32	2-BSPP	45	36	60	70	70



SKKA - BSPP-f (BSPP-f)

- Hexagon Cap
- Thread: BSPP

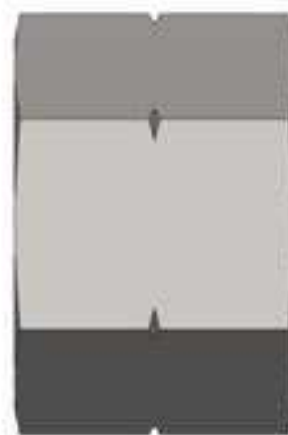
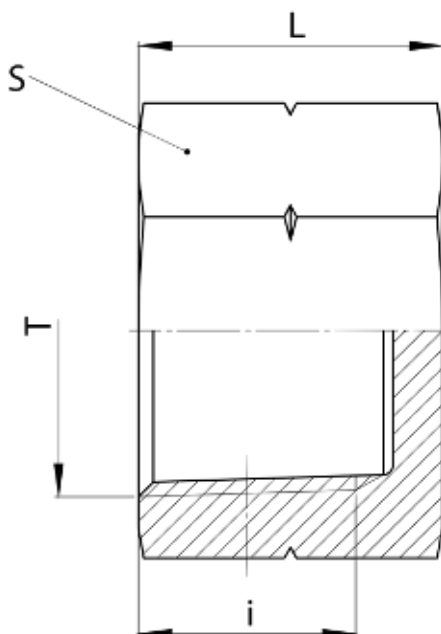
Dash	T	L (mm)	S (mm)	i (mm)	PN (bar)
-2	1/8-BSPP	15	14	9.2	350
-4	1/4-BSPP	18	17	13.7	350
-6	3/8-BSPP	19	22	14	350
-8	1/2-BSPP	21	27	16	200
-12	3/4-BSPP	24.5	32	16	200
-16	1-BSPP	25	41	19	120
-20	1.1/4BSPP	29	50	20	105
-24	1.1/2BSPP	31	55	23	105
-32	2-BSPP	32	70	26	70



SKKA - NPT-f (NPT-f)

- Hexagon Cap
- Thread: NPT

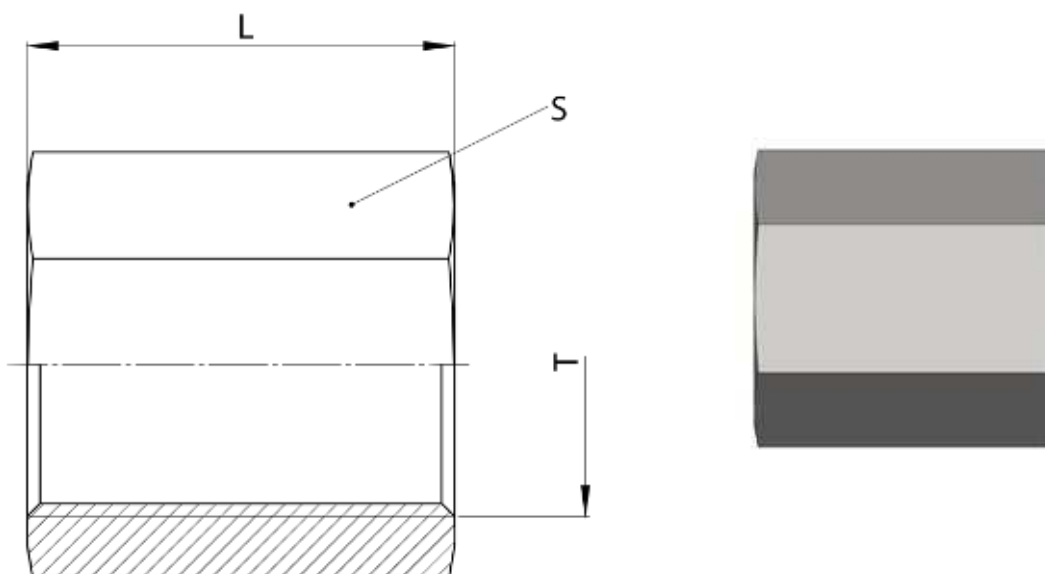
Dash	T	L (mm)	S (mm)	i (mm)	PN (bar)
-2	1/8-NPT	14.6	14	6.9	350
-4	1/4-NPT	19.4	17	10	350
-6	3/8-NPT	20.4	22	10.3	350
-8	1/2-NPT	26.6	27	13.6	200
-12	3/4-NPT	28.1	32	14.1	200
-16	1-NPT	32.8	41	16.8	120
-20	1.1/4NPT	34.3	50	17.3	105
-24	1.1/2NPT	34.3	60	17.3	105
-32	2-NPT	36	70	19	70



SKMU - BSPP-f (BSPP-f)

- Hexagon Cap
- Thread: BSPP

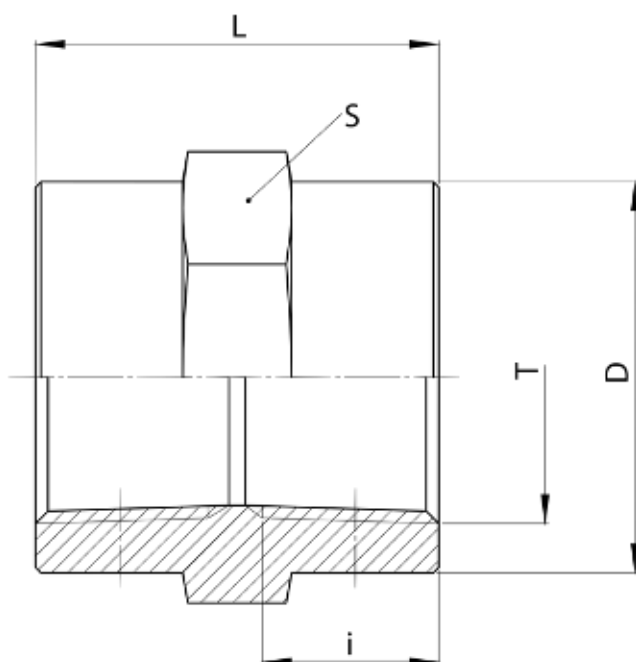
Dash	T	L (mm)	S (mm)	PN (bar)
-2	1/8-BSPP	18	14	350
-4	1/4-BSPP	25	17	350
-6	3/8-BSPP	26	22	350
-8	1/2-BSPP	34	27	200
-12	3/4-BSPP	36	32	200
-16	1-BSPP	43	41	120
-20	1.1/4BSPP	48	50	105
-24	1.1/2BSPP	48	55	105
-32	2-BSPP	56	70	70



SKMU - BSPT-f (BSPT-f)

- Hexagon Socket
- Thread: BSPT

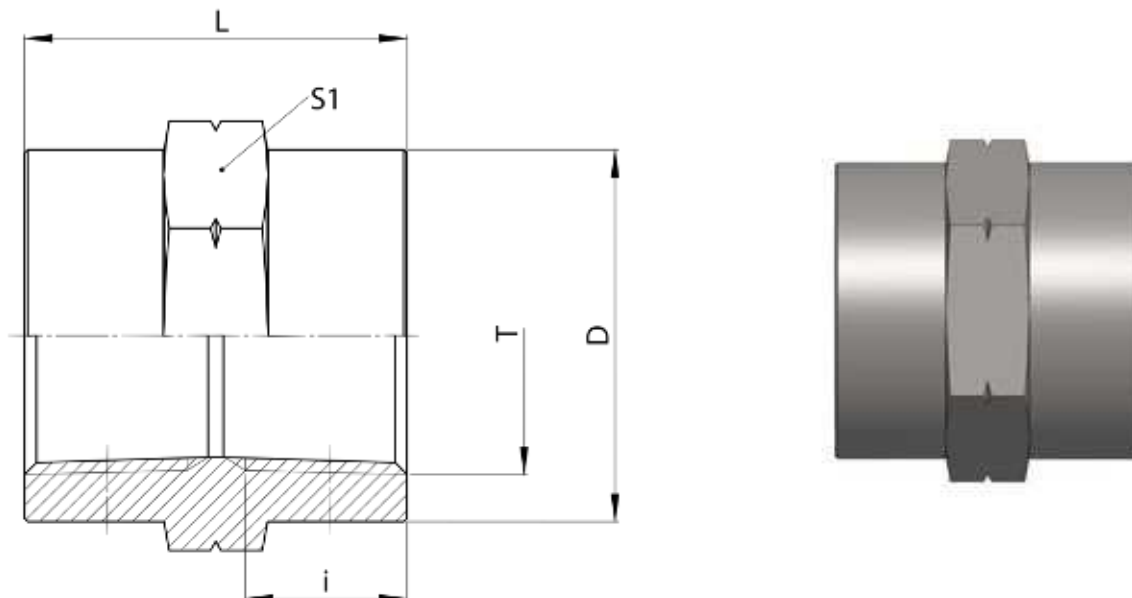
Dash	T	D (mm)	L (mm)	S (mm)	i (mm)	PN (bar)
-2	1/8-BSPT	14	18	14	7.4	350
-2	1/8-BSPT	16	18	16	7.4	350
-4	1/4-BSPT	19	25	19	11	350
-6	3/8-BSPT	22	26	22	11.4	350
-8	1/2-BSPT	30	34	30	15	200
-12	3/4-BSPT	36	37	36	16.3	200
-16-8	1-BSPT	41 / 30	40	41	19.1/ 15	120
-16	1/2-BSPT	41	43	41	19.1	120
-20	1-BSPT	50	48	50	21.4	105
-24	1.1/4-BSPT	55	48	55	21.4	105
-32	1.1/2-BSPT	70	56	70	25.7	70



SKMU - NPT-f (NPT-f)

- Hexagon Socket
- Thread: NPT

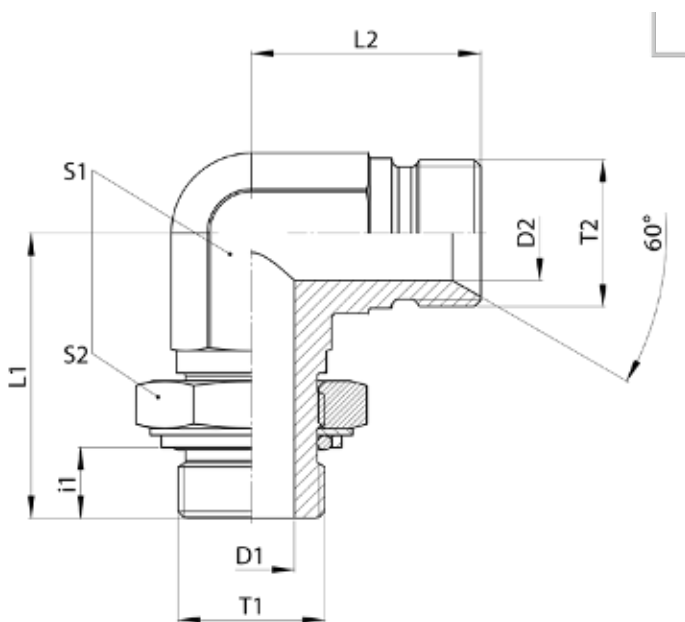
Dash	T	D (mm)	L (mm)	S1 (mm)	i (mm)	PN (bar)
-2	1/8-NPT	16	18	16	6.9	350
-4	1/4-NPT	19	25	19	10	350
-6	3/8-NPT	22	26	22	10.3	350
-8	1/2-NPT	30	34	30	13.6	200
-12	3/4-NPT	36	37	36	14.1	200
-16	1-NPT	41	43	41	16.8	120
-20	1.1/4NPT	50	56	50	17.3	105
-24	1.1/2NPT	60	49	60	17.3	105
-32	2-NPT	70	50	70	19	70



WEE - BSPP - AGR (BSPP - BSPP)

- Adjustable 90° Elbow Connector with
- Lock Nut and Retaining Ring Thread:
- BSPP with 60° Cone End Sealing by an
- O-ring Viton

Dash	T1	T2	D1 (mm)	D2 (mm)	L1 (mm)	L2 (mm)	S1 (mm)	S2 (mm)	i1 (mm)	PN (bar)
-2-2	1/8-BSPP	1/8-BSPP	4	4	21	26	11	14	7	200
-4-4	1/4-BSPP	1/4-BSPP	5	8	25.4	32	14	19	9	200
-6-6	3/8-BSPP	3/8-BSPP	8	10	28.5	32.9	22	22	9	200
-8-8	1/2-BSPP	1/2-BSPP	11	12	32.5	42	19	27	13	200
-8-12	1/2-BSPP	3/4-BSPP	17	12	41.3	51.3	27	27	13	200
-12-12	3/4-BSPP	3/4-BSPP	17	16	41.3	51.3	27	36	13	200
-16-16	1-BSPP	1-BSPP	22	22	44.5	54.2	33	41	15	200
-20-20	1.1/4BSPP	1.1/4BSPP	29	28	50.8	59	41	50	15	160
-24-24	1.1/2BSPP	1.1/2BSPP	33	33	59	63	48	55	15	140

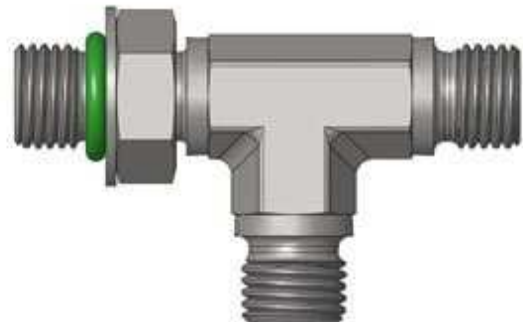
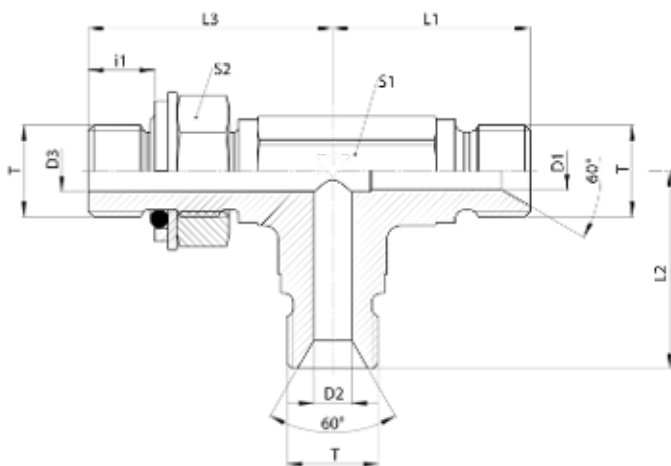


LEE - AGR - AGR - BSPP (BSPP - BSPP - BSPP)

- Adjustable L-Elbow Connector
- with Lock Nut and Retaining Ring
- Thread: BSPP with 60° Cone End
- Sealing by an O-ring Viton

Dash	T	D1 (mm)	D2 (mm)	L1 (mm)	L2 (mm)	S1 (mm)	S2 (mm)	i1 (mm)	PN (bar)
-2	1/8-BSPP	4	4	26	21	11	14	16	200
-4	1/4-BSPP	8	5	32	25.4	14	19	20	200
-6	3/8-BSPP	10	8	32.9	28.5	19	22	20	200
-8	1/2-BSPP	12	11	42	32.5	22	27	26	200
-12	3/4-BSPP	16	17	50	41.3	27	36	26	200
-16	1-BSPP	22	22	54.02	44.5	33	41	33	160
-20	1.1/4BSPP	28	29	59	50.8	41	50	33	160
-24	1.1/2BSPP	33	33	63	59	48	55	33	140

D2=D3, L2=L3



TEE - AGR - BSPP - AGR (BSPP - BSPP - BSPP)

- Adjustable T-Elbow Connector
- with Lock Nut and Retaining Ring
- Thread: BSPP with 60° Cone End
- Sealing by an O-ring Viton

Dash	T	D1 (mm)	D2 (mm)	L1 (mm)	L2 (mm)	S1 (mm)	S2 (mm)	i1 (mm)	PN (bar)
-2	1/8-BSPP	4	4	21	26	11	14	16	200
-4	1/4-BSPP	5	8	25.4	32	14	19	20	200
-6	3/8-BSPP	8	10	28.5	32.9	19	22	20	200
-8	1/2-BSPP	11	12	32.5	42	22	27	26	200
-12	3/4-BSPP	17	16	41.3	50	27	36	26	200
-16	1-BSPP	22	22	44.5	54.2	33	41	33	200
-20	1.1/4BSPP	29	28	50.8	59	41	50	33	160
-24	1.1/2BSPP	33	33	59	63	48	55	33	140

D1=D3, L1=L3

