

SUPERIOR

HYDROLIQUE PVT LTD



SAE FLANGES

CATALOGUE

www.superflowfittings.com



We are a leading manufacturer and supplier of precision engineering components for construction, mining, hydraulics, agriculture and general engineering in South Asia, and worldwide.

PRODUCTS

- **Hydraulics for Heavy Machinery**
 - o Flanges
 - o Hydraulic Ferrules/Sleeves/Shells
 - o Hydraulic Fittings
 - o Hydraulic Clamps
- Machined Components
- Valve Body





TRIA Group, the fastest growing trusted leader in forged and / or machined hydraulic components, can provide you a wide range of precision SAE split, mono and other precision flanges for demanding hydraulic applications.

Product Profile

We offer the following types of flanges for your unique requirements:

- Code 61 (3000psi) and Code 62 (6000psi) Split and Mono Flanges
- Flange Blocks to NPT thread and BSP thread
- Flange Blocks to Weld Socket
- Flange Blocks with Flat Opposing Seal Face
- Oval Flanges
- Custom Flanges

Raw Material & Plating

Raw Material (all certifications available upon request)

- SS 304, SS 316
- Standard Material ST52.3; other grades available, such as SAE 1040, C20, C60, C45

Plating:

- Chrome (VI) free (Trivalent), Hexavalent chrome plating, Zinc
- Nickel

Advantages for Our Customers

Quality: Indian Production, Global Standards

- TRIA Group is an Indian venture with six production facilities in Pune, India
- All flanges are manufactured to exceed global standards
- Our flanges are tested and approved by over 75 global OEMs

Cost Competitiveness

- With world-class quality, you still get very competitive rates
- Provide us the opportunity to quote for you

Ready to Meet Your Needs

- We can provide small volumes of fewer than 100 flanges to larger volumes up to 400,000 flanges a month

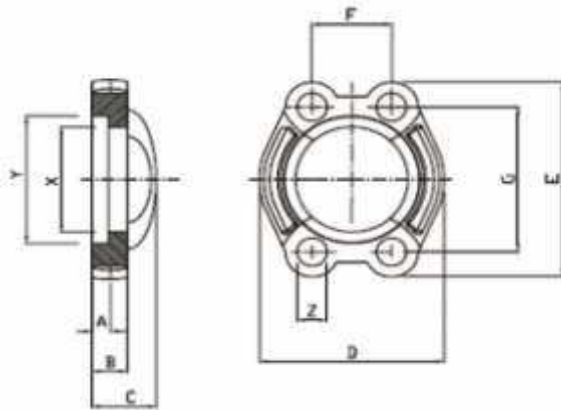
Contact Us to Learn More

Pune Office

+91 8888103355

mkt@tria-group.com

SAE 6162 Mono Flange	6
SAE 6162 Split Flange	7
SAE 6162 Flat Mono	8
SAE 6162 Flat Flange Split	9
SAE 6162 Mono Flange with Tapped Holes	10
Integrated Flat Socket-weld Threaded Flange with O Ring Groove	11
Integrated Flat Socket-weld Flange with O Ring Groove	12
Integrated Flat Socket-weld Flange with Flat Face	13
Integrated Socket-weld with O Ring	14
Integrated Socket-weld with Flat Face	15
Integrated FBSP with O Ring	16
Integrated FBSP with Flat Face	17
Integrated FNPT with O Ring	18
Integrated FNPT with Flat Face	19
Integrated BTW with O Ring	20
Integrated BTW with Flat Face	21
Butt Weld Adapter with O Ring	22
Butt Weld Adapter with Flat Face	23
Blind Mono Flange with O Ring	24
Blind Mono Flange with Flat Face	25

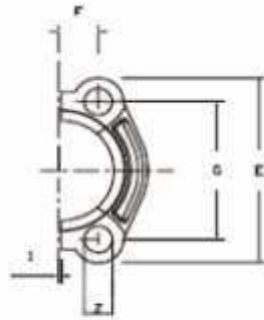
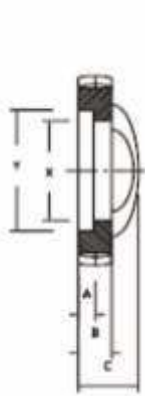


Max Working Pressure (bar)			Nominal Size		Dimensions (mm)											Bolts	
Part No.	Bolts 8.8 (ML)	Bolts 10.6 (MH)	ISO [DN]	SAE (Inch)	SAE Mono Flange	X	Y	A	B	C	D	E	F	G	Z	Metric	UNC
Standard Pressure Series (according to ISO 61621) 3000 PSI Series																	
41	350	350	13	1/2"	FM-3-1/2"-C	24.3	31	6.2	13	19	46	54	17.5	38.1	8.7	M8 x 25	5/16"-18x1"1/4
42	350	350	19	3/4"	FM-3-3/4"-C	32.2	38.9	6.2	14	22	52	65	22.3	47.6	10.5	M10 x 30	3/8"-16x1"1/4
43	250	315	25	1"	FM-3-1"-C	38.5	45.3	7.5	16	24	59	70	26.2	52.4	10.5	M10 x 30	3/8"-16x1"1/4
44	200	250	32	1"1/4	FM-3-1"-1/4"-M	43.7	51.6	7.5	14	24	73	79.5	30.2	58.7	10.5	M10 x 30	-
45	200	250	32	1"1/4	FM-3-1"-1/4"-U	43.7	51.6	7.5	14	24	73	79.5	30.2	58.7	12	-	7/16"-14x1"1/2
46	200	250	32	1"1/4	FM-3-1"-1/4"-M	43.7	51.6	7.5	14	24	73	79.5	30.2	58.7	12.5	M12 x 35	-
47	200	200	38	1"1/2	FM-3-1"-1/2"-C	50.8	61.1	7.5	16	25	83	94	35.7	69.9	13.5	M12 x 35	1/2"-13x1"1/2
48	200	200	38	1"1/2	FM-3-1"-1/2"-M	50.8	61.1	7.5	16	25	83	94	35.7	69.9	14.5	M14 x 35	-
49	160	200	51	2"	FM-3-2"-C	62.8	72.3	9	16	26	97	102	42.9	77.8	13.5	M12 x 35	1/2"-13x1"1/2
50	160	200	51	2"	FM-3-2"-M	62.8	72.3	9	16	26	97	102	42.9	77.8	14.5	M14 x 35	-
51	100	160	64	2"1/2	FM-3-2"1/2"-C	74.9	84.9	9	19	38	109	114.5	50.8	88.9	13.5	M12 x 40	1/2"-13x1"3/4
52	100	160	64	2"1/2	FM-3-2"1/2"-M	74.9	84.9	9	19	38	109	114.5	50.8	88.9	14.5	M14 x 40	-
53	100	160	76	3"	FM-3-3"-C	90.9	102.4	9	22	41	131	135	61.9	10.4	17	M16 x 50	5/8"-11x1"3/4
54	35	35	89	3"1/2	FM-3-3"1/2"-C	102.4	115.1	10.7	22	28	140	152	69.9	120.7	17	M16 x 50	5/8"-1"1x2
55	35	35	102	4"	FM-3-4"-C	115	127.8	10.7	25	35	152	162	77.8	130.2	17	M16 x 50	5/8"-11x2"
56	35	35	127	5"	FM-3-5"-C	140.5	153.2	10.7	28	41	181	184	92.1	152.4	17	M16 x 55	5/8"-11x2"1/4
High Pressure Series (according to ISO 6162-2) 6000 PSI Series																	
57	350	400	13	1/2"	FM-6-1/2"-C	24.6	32.5	7.2	16	22	48	56.6	18.2	40.5	8.7	M8 x 30	5/16"-18x1"1/4
58	350	400	19	3/4"	FM-6-3/4"-C	32.5	42	8.2	19	28	60	71	23.8	50.8	10.5	M10 x 35	3/8"-16x1"1/2
59	350	400	25	1"	FM-6-1"-U	38.8	48.4	9	24	28	70	81	27.8	57.2	12	-	7/16"-14x1"3/4
60	350	400	25	1"	FM-6-1"-M	38.8	48.4	9	24	33	70	81	27.8	57.2	13	M12 x 45	-
61	350	400	32	1"1/4	FM-6-1"1/4"-C	44.5	54.8	9.8	27	38	78	95	31.8	66.6	13.5	M12 x 45	1/2"-13x1"3/4
62	350	400	32	1"1/4	FM-6-1"1/4"-M	44.5	54.8	9.8	27	38	78	95	31.8	66.6	15	M14 x 45	-
63	350	400	38	1"1/2	FM-6-1"1/2"-C	51.6	64.3	12	30	43	95	113	36.5	79.3	17	M16 x 55	5/8"-11x2"1/4
64	350	400	51	2"	FM-6-2"-C	67.6	80.2	12	37	52	114	133	44.5	96.8	21	M20 x 70	3/4"-10x2"3/4

How to Order	
Description	3000 PSI 1/2" SAE Mono Flange
Material	AISI316
Plating	Zinc Nickel
Part No.	0041-4-Z

Mat.	St52-3	A105	AISI304	AISI316	SAE1040
Code	-1	-2	-3	-4	-5

Plating	Trivalent	Hexavalent	Zinc Nickel
Code	-T	-H	-Z

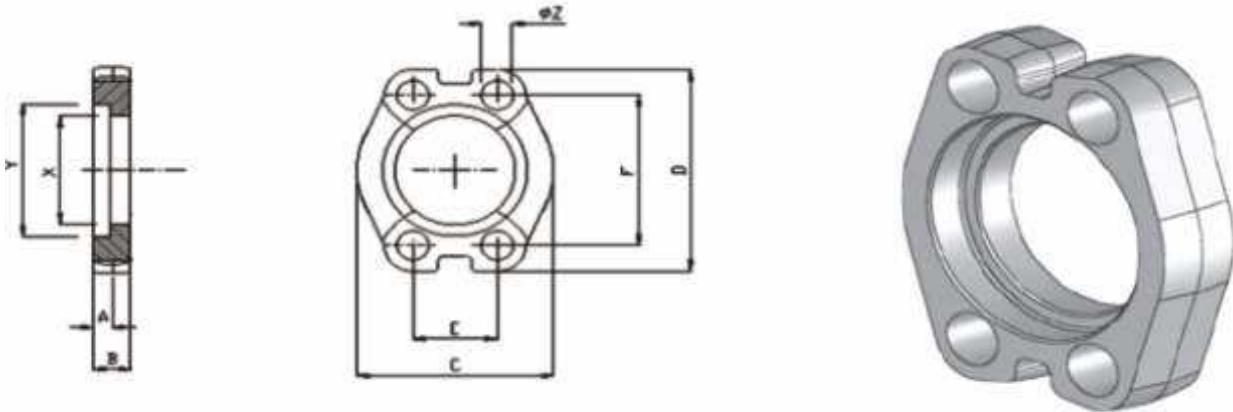


Max Working Pressure (bar)			Nominal Size		Dimensions (mm)										Bolts	
Part No.	Bolts 8.8 (ML)	Bolts 10.6 (MH)	ISO [DN]	SAE (Inch)	SAE Split Flange	X	Y	A	B	C	E	F	G	Z	Metric	UNC
Standard Pressure Series (according to ISO 6162-1) 3000 PSI Series																
65	350	350	13	1/2"	FS-3-1/2"-C	24.3	31	6.2	13	19	54	8.75	38.1	8.7	M8 x 25	5/16"-18x1"1/4
66	350	350	19	3/4"	FS-3-3/4"-C	32.2	38.9	6.2	14	22	65	11.15	47.6	10.5	M10 x 30	3/8"-16x1"1/4
67	250	315	25	1"	FS-3-1"-C	38.5	45.3	7.5	16	24	70	13.1	52.4	10.5	M10 x 30	3/8"-16x1"1/4
68	200	250	32	1"1/4	FS-3-1"-1/4"-M	43.7	51.6	7.5	14	24	79.5	15.1	58.7	10.5	M10 x 30	-
69	200	250	32	1"1/4	FS-3-1"-1/4"-U	43.7	51.6	7.5	14	24	79.5	15.1	58.7	12	-	7/16"-14x1"1/2
70	200	250	38	1"1/4	FS-3-1"-1/4"-M	43.7	51.6	7.5	14	24	79.5	15.1	58.7	12.5	M12 x 35	-
71	200	200	38	1"1/2	FS-3-1"-1/2"-C	50.8	61.1	7.5	16	25	94	17.85	69.9	13.5	M12 x 35	1/2"-13x1"1/2
72	200	200	38	1"1/2	FS-3-1"-1/2"-M	50.8	61.1	7.5	16	25	94	17.85	69.9	14.5	M14 x 35	-
73	160	200	51	2"	FS-3-2"-C	62.8	72.3	9	16	26	102	21.45	77.8	13.5	M12 x 35	1/2"-13x1"1/2
74	160	200	51	2"	FS-3-2"-M	62.8	72.3	9	16	26	102	21.45	77.8	14.5	M14 x 35	-
75	100	160	64	2"1/2	FS-3-2"1/2"-C	74.9	84.9	9	19	38	114.5	25.4	88.9	13.5	M12 x 40	1/2"-13x1"3/4
76	100	160	64	2"1/2	FS-3-2"1/2"-M	74.9	84.9	9	19	38	114.5	25.4	88.9	14.5	M14 x 40	-
77	100	160	76	3"	FS-3-3"-C	90.9	102.4	9	22	41	135	30.95	106.4	17	M16 x 50	5/8"-11x1"3/4
78	35	35	89	3"1/2	FS-3-3"1/2"-C	102.4	115.1	10.7	22	28	152	34.95	120.7	17	M16 x 50	5/8"-1"1x2"
79	35	35	102	4"	FS-3-4"-C	115	127.8	10.7	25	35	162	38.9	130.2	17	M16 x 50	5/8"-11x2"
80	35	35	127	5"	FS-3-5"-C	140.5	153.2	10.7	28	41	184	46.05	152.4	17	M16 x 55	5/8"-11x2"1/4
High Pressure Series (according to ISO 6162-2) 6000 PSI Series																
81	350	400	13	13	FS C-6-1/2"-C	24.6	32.5	7.2	16	22	56.6	9.1	40.5	8.7	M8 x 30	5/16"-18x1"1/4
82	350	400	19	19	FS-6-3/4"-C	32.5	42	8.2	19	28	71	11.9	50.8	10.5	M10 x 35	3/8"-16x1"1/2
83	350	400	25	25	FS-6-1"-U	38.8	48.4	9	24	33	81	13.9	57.2	11.9	-	7/16"-14x1"3/4
84	350	400	25	25	FS-6-1"-M	38.8	48.4	9	24	33	81	13.9	57.2	13	M12 x 45	-
85	350	400	32	32	FS-6-1"-1/4"-C	44.5	54.8	9.8	27	38	95	15.9	66.6	13.5	M12 x 45	1/2"-13x1"3/4
86	350	400	32	32	FS-6-1"-1/4"-M	44.5	54.8	9.8	27	38	95	15.9	66.6	15	M14 x 45	-
87	350	400	38	38	FS-6-1"-1/2"-C	51.6	64.3	12	30	43	113	18.25	79.3	17	M16 x 55	5/8"-11x2"1/4
88	350	400	51	51	FS-6-2"-C	67.6	80.2	12	37	52	133	22.25	96.8	21	M20 x 70	3/4"-10x2"3/4

How to Order	
Description	3000 PSI 1/2" SAE Split Flange
Material	AISI316
Plating	Zinc Nickel
Part No.	0065-4-Z

Mat.	St52-3	A105	AISI316	SAE1040
Code	-1	-2	-4	-5

Plating	Trivalent	Hexavalent	Zinc Nickel
Code	-T	-H	-Z



Max Working Pressure (bar)			Nominal Size		Dimensions (mm)										Bolts	
Part No.	Bolts 8.8	Bolts 10.6	ISO	SAE	Flat Mono	X	Y	A	B	C	D	E	F	Z	Metric	UNC

Standard Pressure Series (according to ISO 6162-1) 3000 PSI Series

0113	350	350	13	1/2"	FFM C-3-1/2"-C	24.3	31	6.2	13	45.6	54	17.5	38.1	8.7	M8 x 25	5/16"-18x1"1/4
0114	350	350	19	3/4"	FFM-3-3/4"-C	32.2	38.9	6.2	14	51.8	65	22.3	47.6	10.5	M10 x 30	3/8"-16x1"1/4
0115	250	315	25	1"	FFM-3-1"-C	38.5	45.3	7.5	16	58.4	70	26.2	52.4	10.5	M10 x 30	3/8"-16x1"1/4
0116	200	250	32	1"1/4	FFM-3-1"1/4"-M	43.7	51.6	7.5	14	73.2	79	30.2	58.7	10.5	M10 x 30	-
0117	200	250	32	1"1/4	FFM-3-1"1/4"-U	43.7	51.6	7.5	14	73.2	79	30.2	58.7	12	-	7/16"-14x1"1/2
0118	200	250	32	1"1/4	FFM-3-1"1/4"-M	43.7	51.6	7.5	14	73.2	79	30.2	58.7	12.5	M12 x 35	-
0119	200	200	38	1"1/2	FFM-3-1"1/2"-C	50.8	61.1	7.5	16	82.2	94	35.7	69.9	13.5	M12 x 35	1/2"-13x1"1/2
0120	200	200	38	1"1/2	FFM-3-1"1/2"-M	50.8	61.1	7.5	16	82.2	94	35.7	69.9	14.5	M14 x 35	-
0121	160	200	51	2"	FFM-3-2"-C	62.8	72.3	9	16	96.4	102	42.9	77.8	13.5	M12 x 35	1/2"-13x1"1/2
0122	160	200	51	2"	FFM-3-2"-M	62.8	72.3	9	16	96.4	102	42.9	77.8	14.5	M14 x 35	-
0123	160	200	51	2"1/2	FFM-3-2"1/2"-C	74.9	84.9	9	19	106	115	50.8	88.9	13.5	M12 x 40	1/2"-13x1"3/4
0124	160	200	51	2"1/2	FFM-3-2"1/2"-M	74.9	84.9	9	19	106	115	50.8	88.9	14.5	M14 x 40	-
0125	100	160	76	3"	FFM-3-3"-C	90.9	102.4	9	22	128.6	135	61.9	106.4	17	M16 x 50	5/8"-11x1"3/4

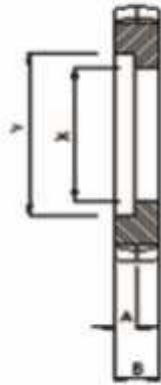
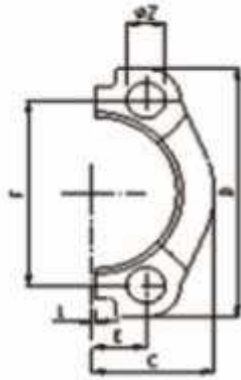
High Pressure Series (according to ISO 6162-2) 6000 PSI Series

0126	350	400	13	1/2"	FFM C-6-1"1/2"-C	24.6	32.5	7.2	16	47.2	56	18.2	40.5	8.7	M8 x 30	5/16"-18x1"1/4
0127	350	400	19	3/4"	FFM-6-3/4"-C	32.5	42	8.2	19	60	71	23.8	50.8	10.5	M10 x 35	3/8"-16x1"1/2
0128	350	400	25	1"	FFM-6-1"-U	38.8	48.4	9	24	69.6	81	27.8	57.2	12	-	7/16"-14x1"3/4
0129				1"	FFM-6-1"-M	38.8	48.4	9	24	69.6	81	27.8	57.2	13	M12 x 45	-
0130	350	400	32	1 1/4"	FFM-6-1 1/4"-C	44.5	54.8	9.8	27	77.2	95	31.8	66.6	13.5	M12 x 45	1/2"-13x1"3/4
0131	350	400	32	1 1/4"	FFM-6-1 1/4"-M	44.5	54.8	9.8	27	77.2	95	31.8	66.6	15	M14 x 45	-
0132	350	400	38	1"1/2	FFM-6-1"1/2"-C	51.6	64.3	12	30	95	113	36.5	79.3	17	M16 x 55	5/8"-11x2"1/4
0133	350	400	51	2"	FFM-6-2"-C	67.6	80.2	12	37	113.8	133	44.5	96.8	21	M20 x 70	3/4"-10x2"3/4

How to Order	
Description	3000 PSI 1/2" SAE Flat Flange Mono
Material	AISI316
Plating	Zinc Nickel
Part No.	0113-4-Z

Mat.	St52-3	A105	AISI304	AISI316	SAE1040
Code	-1	-2	-3	-4	-5

Plating	Trivalent	Hexavalent	Zinc Nickel
Code	-T	-H	-Z



Max Working Pressure (bar)			Nominal Size		Dimensions (mm)										Bolts	
Part No.	Bolts 8.8	Bolts 10.6	ISO	SAE	Flat Split	X	Y	A	B	C	D	E	F	Z	Metric	UNC

Standard Pressure Series (according to ISO 6162-1) 3000 PSI Series

0134	350	350	13	1/2"	FFS-3-1/2"-C	24.3	31	6.2	13	22.8	54	8.75	38.1	8.7	M8 x 25	5/16"-18x1"1/4
0135	350	350	19	3/4"	FFS-3-3/4"-C	32.2	38.9	6.2	14	25.9	65	11.15	47.6	10.5	M10 x 30	3/8"-16x1"1/4
0136	250	315	25	1"	FFS-3-1"-C	38.5	45.3	7.5	16	29.2	70	13.1	52.4	10.5	M10 x 30	3/8"-16x1"1/4
0137	200	250	32	1"1/4	FFS-3-1"-1/4"-C	43.7	51.6	7.5	14	36.6	79	13.1	58.7	10.5	M10 x 30	-
0138	200	250	32	1"1/4	FFS-3-1"-1/4"-U	43.7	51.6	7.5	14	36.6	79	15.1	58.7	12	-	7/16"-14x1"1/2
0139	200	250	32	1"1/4	FFS-3-1"-1/4"-M	43.7	51.6	7.5	14	36.6	79	15.1	58.7	12.5	M12 x 35	-
0140	200	200	38	1"1/2	FFS-3-1"-1/2"-C	50.8	61.1	7.5	16	41.1	94	17.85	69.9	13.5	M12 x 35	1/2"-13x1"1/2
0141	200	200	38	1"1/2	FFS-3-1"-1/2"-M	50.8	61.1	7.5	16	41.1	94	17.85	69.9	14.5	M14 x 35	-
0142	160	200	51	2"	FFS-3-2"-C	62.8	72.3	9	16	48.2	102	21.45	77.8	13.5	M12 x 35	1/2"-13x1"1/2
0143	160	200	51	2"	FFS-3-2"-M	62.8	72.3	9	16	48.2	102	21.45	77.8	14.5	M14 x 35	-
0144	100	160	64	2"1/2	FFS-3-2"1/2"-C	74.9	84.9	9	19	53	115	25.4	88.9	13.5	M12 x 40	1/2"-13x1"3/4
0145	100	160	64	2"1/2	FFS-3-2"1/2"-M	74.9	84.9	9	19	53	115	25.4	88.9	14.5	M14 x 40	-
0146	100	160	76	3"	FFS-3-3"-C	90.9	102.4	9	22	64.3	135	30.95	106.4	17	M16 x 50	5/8"-11x1"3/4

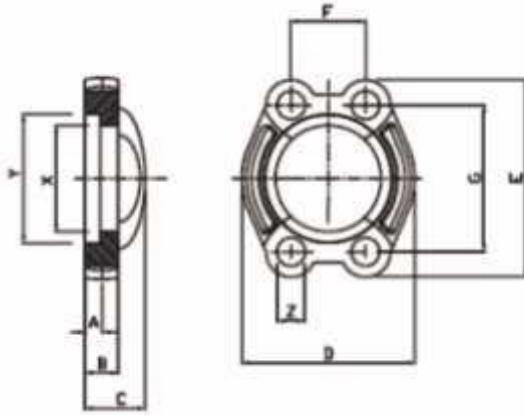
High Pressure Series (according to ISO 6162-2) 6000 PSI Series

0147	350	400	13	1/2"	FFS C-6-1/2"-C	24.6	32.5	7.2	16	23.6	56	9.1	40.5	8.7	M8 x 30	5/16"-18x1"1/4
0148	350	400	19	3/4"	FFS-6-3/4"-C	32.5	42	8.2	19	30	71	11.9	50.8	10.5	M10 x 35	3/8"-16x1"1/4
0149	350	400	25	1"	FFS-6-1"-U	38.8	48.4	9	24	34.8	81	13.9	57.2	12	-	7/16"-14x1"3/4
0150	350	400	25	1"	FFS-6-1"-M	38.8	48.4	9	24	34.8	81	13.9	57.2	13	M12 x 45	-
0151	350	400	32	1"1/4	FFS-6-1"-1/4"-C	44.5	54.8	9.8	27	38.6	95	15.9	66.6	13.5	M12 x 45	1/2"-13x1"3/4
0152	350	400	32	1"1/4	FFS-6-1"-1/4"-M	44.5	54.8	9.8	27	38.6	95	15.9	66.6	15	M14 x 45	-
0153	350	400	38	1"1/2	FFS-6-1"-1/2"-C	51.6	64.3	12	30	47.5	113	18.25	79.3	17	M16 x 55	5/8"-11x2"1/4
0154	350	400	51	2"	FFS-6-2"-C	67.6	80.2	12	37	56.8	133	22.25	96.8	21	M20 x 70	3/4"-10x2"3/4

How to Order	
Description	3000 PSI 1/2" SAE Flat Flange Split
Material	AISI316
Plating	Zinc Nickel
Part No.	0134-4-Z

Mat.	St52-3	A105	AISI304	AISI316	SAE1040
Code	-1	-2	-3	-4	-5

Plating	Trivalent	Hexavalent	Zinc Nickel
Code	-T	-H	-Z



Max Working Pressure (bar)			Nominal Size		Dimensions (mm)										Bolts
Part No.	Bolts 8.8	Bolts 10.6	ISO	SAE	Flange Clamps	X	Y	A	B	C	D	E	F	G	(Z)Thread

Standard Pressure Series (according to ISO 6162-1) 3000 PSI Series

0089	350	350	13	1/2"	TFM-3-1/2"-M	24.3	31	6.2	13	19	46	54	17.5	38.1	M8
0090	350	350	19	3/4"	TFM-3-3/4"-M	32.2	38.9	6.2	14	22	52	65	22.3	47.6	M10
0091	250	315	25	1"	TFM-3-1"-M	38.5	45.3	7.5	16	24	59	70	26.2	52.4	M10
0092	200	250	32	1 1/4"	TFM-3-1"-1/4"-M	43.7	51.6	7.5	14	24	73	79.5	30.2	58.7	M10
0093	200	250	32	1 1/4"	TFM-3-1"-1/4"-M	43.7	51.6	7.5	14	24	73	79.5	30.2	58.7	M12
0094	200	250	32	1 1/4"	TFM-3-1"-1/4"-U	43.7	51.6	7.5	14	24	73	79.5	30.2	58.7	1/2UNC
0095	200	200	38	1 1/2"	TFM-3-1"-1/2"-M	50.8	61.1	7.5	16	25	83	94	35.7	69.9	M12
0096	200	200	38	1 1/2"	TFM-3-1"-1/2"-M	50.8	61.1	7.5	16	25	83	94	35.7	69.9	M14
0097	160	200	51	2"	TFM-3-2"-M	62.8	72.3	9	16	26	97	102	42.9	77.8	M12
0098	160	200	51	2"	TFM-3-2"-M	62.8	72.3	9	16	26	97	102	42.9	77.8	M14
0099	100	160	64	2 1/2"	TFM-3-2"-1/2"-M	74.9	84.9	9	19	38	109	114.5	50.8	88.9	M12
0100	100	160	64	2 1/2"	TFM-3-2"-1/2"-M	74.9	84.9	9	19	38	109	114.5	50.8	88.9	M14
0101	100	160	76	3"	TFM-3-3"-M	90.9	102.4	9	22	41	131	135	61.9	106.4	M16
0102	35	35	89	3 1/2"	TFM-3-3"-1/2"-M	102.4	115.1	10.7	22	28	140	152	69.9	120.7	M16
0103	35	35	102	4"	TFM-3-4"-M	115	127.8	10.7	25	35	125	162	77.8	130.2	M16
0104	35	35	127	5"	TFM-3-5"-M	140.5	153.2	10.7	28	41	181	184	92.1	152.4	M16

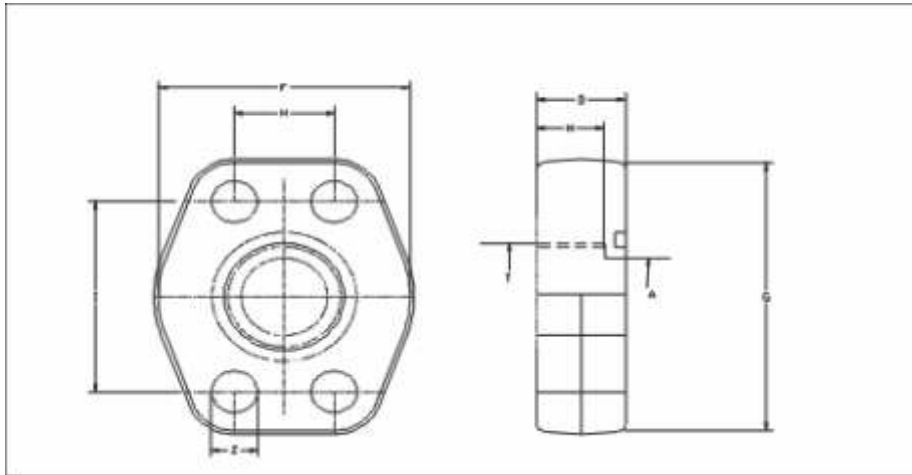
High Pressure Series (according to ISO 6162-2) 6000 PSI Series

0105	350	400	13	1/2"	TFM-6-1/2"-M	24.6	32.5	7.2	16	22	48	56.6	18.2	40.5	M8
0106	350	400	19	3/4"	TFM-6-3/4"-M	32.5	42	8.2	19	28	60	71	23.8	50.8	M10
0107	350	400	25	1"	TFM-6-1"-M	38.8	48.4	9	24	33	70	81	27.8	57.2	M10
0108	350	400	25	1"	TFM-6-1"-M	38.8	48.4	9	24	33	70	81	27.8	57.2	M12
0109	350	400	32	1 1/4"	TFM-6-1"-1/4"-M	44.5	54.8	9.8	27	38	78	95	31.8	66.6	M12
0110	350	400	32	1 1/4"	TFM-6-1"-1/4"-M	44.5	54.8	9.8	27	38	78	95	31.8	66.6	M14
0111	350	400	38	1 1/2"	TFM-6-1"-1/2"-M	51.6	64.3	12	30	43	95	113	36.5	79.3	M16
0112	350	400	51	2"	TFM-6-2"-M	67.6	80.2	12	37	52	114	133	44.5	96.8	M20

How to Order	
Description	3000 PSI 1/2" SAE Mono Flange with Tapped Holes
Material	AISI316
Plating	Zinc Nickel
Part No.	0089-4-Z

Mat.	St52-3	A105	AISI304	AISI316	SAE1040
Code	-1	-2	-3	-4	-5

Plating	Trivalent	Hexavalent	Zinc Nickel
Code	-T	-H	-Z



Max Working Pressure (bar)			Normal Size		Dimensions (mm)										Bolts
Part No.	Bolts 8.8 (ML)	Bolts 10.9 (MH)	ISO (DN)	SAE (inch)	Straight Version, O Ring Face IOR..FL..TSW	Diam A	Thread T(BSP)	D	F	G	H	I	M	Z	Metric.

Standard Pressure Series (according to ISO6162-1) 3000 PSI Series

439	350	350	13	1/2"	IOR-FL-3- TSW- 1/2"	13	1/2"	20	47	57	17.5	38.1	15	8.7	8x30
440	350	350	19	3/4"	IOR-FL-3-TSW-3/4"	19	3/4"	20	50	67	22.3	47.6	15	10.5	10x35
441	250	315	25	1"	IOR-FL-3-TSW-1"	25	1"	22	54	72	26.2	52.4	16	10.5	10x35
442	200	200	32	1 1/4"	IOR-FL-3-TSW-1 1/4"	31	1 1/4"	22	68	82	30.2	58.7	16	10.6	10x40
443	200	200	38	1 1/2"	IOR-FL-3-TSW-1 1/2"	38	1 1/2"	26	79	96	35.7	69.9	20	13.5	12x45
444	160	160	51	2"	IOR-FL-3-TSW-2"	50	2"	26	88	102	42.9	77.8	20	13.5	12x45
445	100	100	64	2 1/2"	IOR-FL-3-TSW-2 1/2"	63	2 1/2"	32	101	115	50.8	88.9	25	13.5	12x45
446	100	100	76	3"	IOR-FL-3-TSW-3"	73	3"	32	127	137	61.9	106.4	25	17	16x50

High Pressure Series (according to ISO 6162-2) 6000 PSI Series

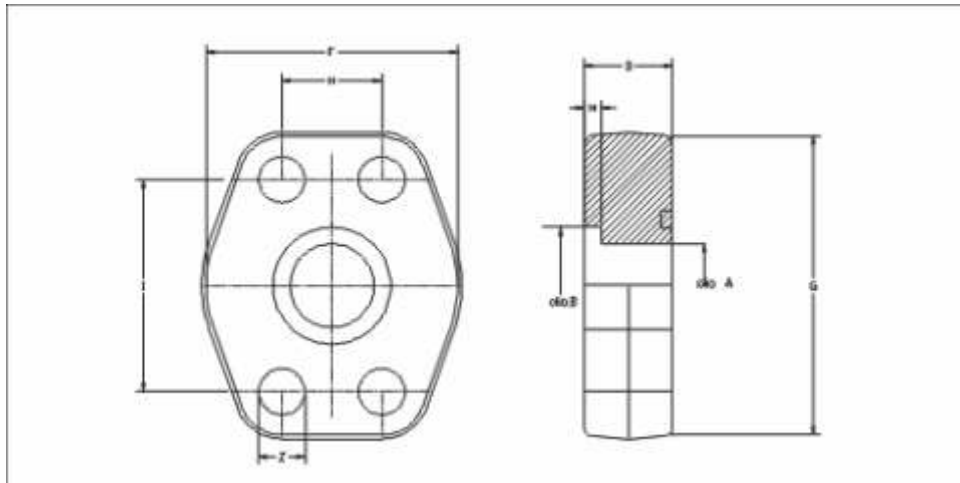
447	350	400	13	1/2"	IOR-FL-6- TSW- 1/2"	14	1/2"	20	47	57	18.2	40.5	15	8.7	8x30
448	350	400	19	3/4"	IOR-FL-6-TSW-3/4"	19	3/4"	20	54	72	23.8	50.8	15	10.5	10x35
449	350	400	25	1"	IOR-FL-6-TSW-1"	25	1"	24	68	82	27.8	57.2	18	13	12x45
450	350	400	32	1 1/4"	IOR-FL-6-TSW-1 1/4"	31	1 1/4"	28	79	95	31.8	66.6	22	15	12x45
451	350	400	38	1 1/2"	IOR-FL-6-TSW-1 1/2"	32	1 1/2"	30	88	108	36.5	79.3	24	17	16x55
452	350	400	51	2"	IOR-FL-6-TSW-2"	50	2"	30	118	137	44.5	96.8	24	21	20x70

How to Order	
Description	3000 PSI 1/2" INTEGRATED THREADED BORE WITH O RING GROOVE
Material	AISI 316
Plating	Zinc Nickel
Part No.	'0439-4-Z

Mat.	ST52-3	A105	AISI304	AISI316
Code	-1	-2	-3	-4

Plating	Trivalent	Hexa-valent	Zink Nickel
Code	-T	-H	-Z

Integrated Flat Socket-weld Flange with O Ring Groove (IOR)



Max Working Pressure (bar)			Normal Size		Dimensions (mm)										Bolts
Part No.	Bolts 8.8 (ML)	Bolts 10.9 (MH)	ISO (DN)	SAE (inch)	Straight Version, O Ring Face IOR..FL..TSW	Diam A	Diam B	D	F	G	H	I	M	Z	Metric.

Standard Pressure Series (according to ISO6162-1) 3000 PSI Series

411	350	350	13	1/2"	IOR-FL-3- SW- 1/2"	15	22.5	16	47	57	17.5	38.1	9	8.7	8x30
412	350	350	19	3/4"	IOR-FL-3-SW-3/4"	20	28.5	18	50	67	22.3	47.6	10	10.5	10x35
413	250	315	25	1"	IOR-FL-3-SW-1"	29	35.5	19	54	72	26.2	52.4	11	10.5	10x35
414	200	250	32	1"1/4	IOR-FL-3-SW-1"1/4	34	42.5	18	68	82	30.2	58.7	10	10.6	10x40
415	200	200	38	1"1/2	IOR-FL-3-SW-1"1/2	42	49	20	79	96	35.7	69.9	9	13.5	12x45
416	160	200	51	2"	IOR-FL-3-SW-2"	53	61	20	88	102	42.9	77.8	9	13.5	12x45
417	100	160	64	2"1/2	IOR-FL-3-SW-2"1/2	64	77	20	101	115	50.8	88.9	9	13.5	12x45
418	100	100	76	3"	IOR-FL-3-SW-3"	80	90	24	127	137	61.9	106.4	9	17	16x50

High Pressure Series (according to ISO 6162-2) 6000 PSI Series

419	350	400	13	1/2"	IOR-FL-6- SW- 1/2"	15	22.5	16	47	57	18.2	40.5	9	8.7	8x30
420	350	400	19	3/4"	IOR-FL-6-SW-3/4"	20	28.5	19	54	72	23.8	50.8	11	10.5	10x35
421	350	400	25	1"	IOR-FL-6-SW-1"	29	35.5	24	68	82	27.8	57.2	16	13	12x45
422	350	400	32	1"1/4	IOR-FL-6-SW-1"1/4	34	42.5	27	79	95	31.8	66.6	19	15	12x45
423	350	400	38	1"1/2	IOR-FL-6-SW-1"1/2	42	49	30	88	108	36.5	79.3	19	17	16x55
424	350	400	51	2"	IOR-FL-6-SW-2"	53	61	30	118	137	44.5	96.8	15	21	20x70

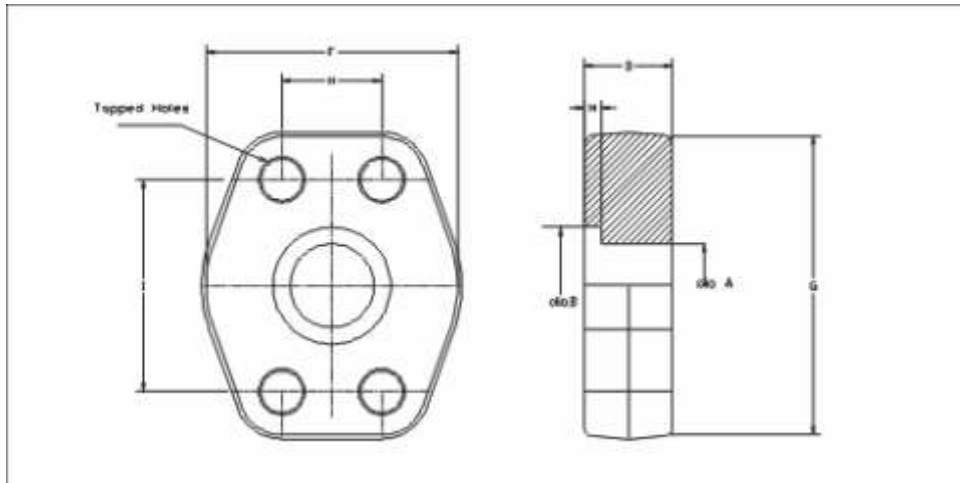
How to Order

Description	3000 PSI 1/2" INTEGRATED PLAIN BORE WITH O RING GROOVE
Material	AISI 316
Plating	Zinc Nickel
Part No.	'0411-4-Z

Mat.	ST52-3	A105	AISI304	AISI316
Code	-1	-2	-3	-4

Plating	Trivalent	Hexa-valent	Zink Nickel
Code	-T	-H	-Z

Integrated Flat Socket-weld Flange with Flat Face (IFL)



Max Working Pressure (bar)			Normal Size		Dimensions (mm)									Bolts
Part No.	Bolts 8.8 (ML)	Bolts 10.9 (MH)	ISO (DN)	SAE (inch)	Straight Version, O Ring Face IOR..FL..TSW	Diam A	Diam B	D	F	G	H	I	M	Metric.

Standard Pressure Series (according to ISO6162-1) 3000 PSI Series

425	350	350	13	1/2"	IFL-FL-3- SW 1/2"	15	22.5	16	47	57	17.5	38.1	9	M8
426	350	350	19	3/4"	IFL-FL-3-SW-3/4"	20	28.5	18	50	67	22.3	47.6	10	M10
427	250	315	25	1"	IFL-FL-3-SW-1"	29	35.5	19	54	72	26.2	52.4	11	M10
428	200	250	32	1"1/4	IFL-FL-3-SW-1"1/4	34	42.5	18	68	82	30.2	58.7	10	M10
429	200	200	38	1"1/2	IFL-FL-3-SW-1"1/2	42	49	20	79	96	35.7	69.9	9	M12
430	160	200	51	2"	IFL-FL-3-SW-2"	53	61	20	88	102	42.9	77.8	9	M12
431	100	160	64	2"1/2	IFL-FL-3-SW-2"1/2	64	77	20	101	115	50.8	88.9	9	M12
432	100	100	76	3"	IFL-FL-3-SW-3"	80	90	24	127	137	61.9	106.4	9	M16

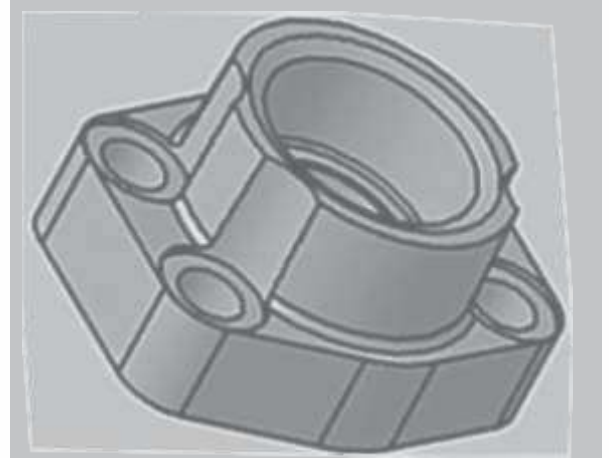
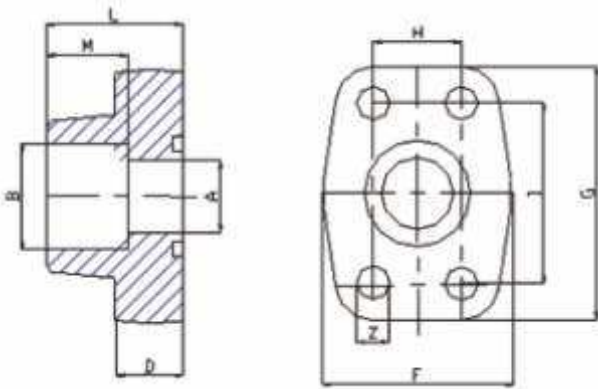
High Pressure Series (according to ISO 6162-2) 6000 PSI Series

433	350	400	13	1/2"	IFL-FL-6- SW 1/2"	15	22.5	16	47	57	18.2	40.5	9	M8
434	350	400	19	3/4"	IFL-FL-6-SW-3/4"	20	28.5	19	54	72	23.8	50.8	11	M10
435	350	400	25	1"	IFL-FL-6-SW-1"	29	35.5	24	68	82	27.8	57.2	16	M12
436	350	400	32	1"1/4	IFL-FL-6-SW-1"1/4	34	42.5	27	79	95	31.8	66.6	19	M14
437	350	400	38	1"1/2	IFL-FL-6-SW-1"1/2	42	49	30	88	108	36.5	79.3	19	M16
438	350	400	51	2"	IFL-FL-6-SW-2"	53	61	30	118	137	44.5	96.8	15	M20

How to Order	
Description	3000 PSI 1/2" INTEGRATED PLAIN BORE WITH FLAT FACE
Material	AISI 316
Plating	Zinc Nickel
Part No.	'0425-4-Z

Mat.	ST52-3	A105	AISI304	AISI316
Code	-1	-2	-3	-4

Plating	Trivalent	Hexa-valent	Zinc Nickel
Code	-T	-H	-Z



Max Working Pressure (bar)			Nominal Size		Dimensions (mm)											Bolts
Part No.	Bolts 8.8	Bolts 10.9	ISO	SAE	STRAIGHT VERSION, O RING FACE											Metric
					A	B	D	F	G	H	I	L	M	Z		

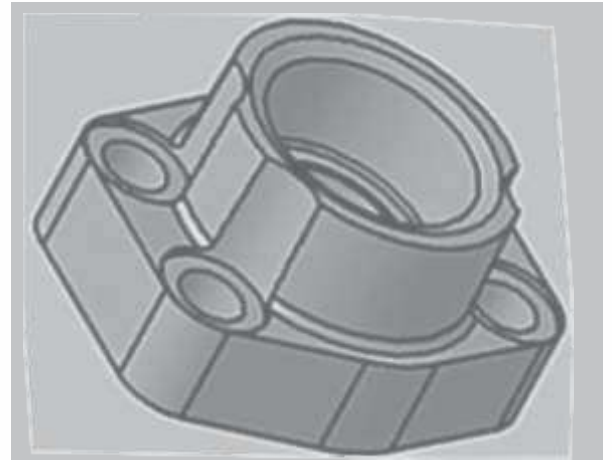
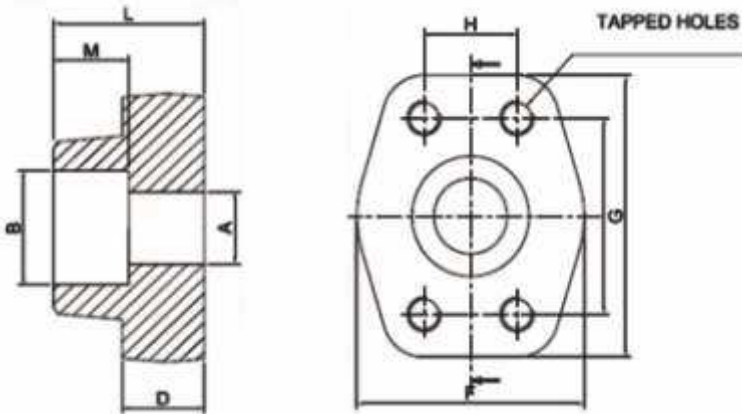
Standard Pressure Series (according to ISO 6162-1) 3000 PSI Series																
0155	350	350	13	1/2"	IOR SW 1/2"	13	22	16	47	57	17.5	38.1	36	18	8.7	M8 x 30
0156	350	350	19	3/4"	IOR-3-SW-3/4"	19	28	18	50	67	22.3	47.6	36	18	10.5	M10 x 35
0157	250	315	25	1"	IOR-3-SW-1"	25	35	18	54	72	26.2	52.4	38	18	10.5	M10 x 35
0158	200	250	32	1 1/4"	IOR-3-SW-1 1/4"	31	43	21	68	82	30.2	58.7	41	20	10.6	M10 x 40
0159	200	200	38	1 1/2"	IOR-3-SW-1 1/2"	38	51	25	79	96	35.7	69.9	44	22	13.5	M12 x 45
0160	160	200	51	2"	IOR-3-SW-2"	47	61	25.5	88	102	42.9	77.8	45	24	13.5	M12 x 45
0161	100	160	64	2 1/2"	IOR-3-SW-2 1/2"	63	73	26	101	115	50.8	88.9	50	28	13.5	M12 x 45
0162	100	100	76	3"	IOR-3-SW-3"	70	90	27.5	124	137	61.9	106.4	50	28	17	M16 x 50
High Pressure Series (according to ISO 6162-2) 6000 PSI Series																
0163	350	400	13	1/2"	IOR 6 SW 1/2"	13	22	16.5	47	57	18.2	40.5	36	19	8.7	M8 x 30
0164	350	400	19	3/4"	IOR-6-SW-3/4"	19	28	20	54	72	23.8	50.8	36	20	10.5	M10 x 35
0165	350	400	25	1"	IOR-6-SW-1"	22	35	24	68	82	27.8	57.2	44	22	13	M12 x 45
0166	350	400	32	1 1/4"	IOR-6-SW-1 1/4"	32	42.8	27.5	79	96	31.8	66.6	44	22	15	M12 x 45
0167	350	400	38	1 1/2"	IOR-6-SW-1 1/2"	38	48.6	31	88	108	36.5	79.3	51	24	17	M16 x 55
0168	350	400	51	2"	IOR-6-SW-2"	51	61	37	118	137	44.5	96.8	70	33	21	M20 x 70

How to Order	
Description	3000 PSI 1/2" Integrated Plain Bore with O Ring
Material	AISI316
Plating	Zinc Nickel
Part No.	0155-4-Z

Mat.	St52-3	A105	AISI304	AISI316	SAE1018
Code	-1	-2	-3	-4	-6

***Unless Specified Parts will be Black Oxidized.

Plating	Trivalent	Hexavalent	Zinc Nickel
Code	-T	-H	-Z



Max Working Pressure (bar)			Nominal Size		Dimensions (mm)										Threads
Part No.	Bolts 8.8	Bolts 10.6	ISO [DN]	SAE	STRAIGHT VERSION, O RING FACE	A	B	D	F	G	H	I	L	M	Metric

Standard Pressure Series (according to ISO 6162-1) 3000 PSI Series

0169	350	350	13	1/2"	IFL SW 1/2"	13	22	16	47	57	17.5	38.1	36	18	M8
0170	350	350	19	3/4"	IFL-3-SW-3/4"	19	28	18	50	67	22.3	47.6	36	18	M10
0171	250	315	25	1"	IFL-3-SW-1"	25	35	18	54	72	26.2	52.4	38	18	M10
0172	200	250	32	1 1/4"	IFL-3-SW-1 1/4"	31	43	21	68	82	30.2	58.7	41	20	M10
0173	200	200	38	1 1/2"	IFL-3-SW-1 1/2"	38	51	25	79	96	35.7	69.9	44	22	M12
0174	160	200	51	2"	IFL-3-SW-2"	47	61	25.5	88	102	42.9	77.8	45	24	M12
0175	100	160	64	2 1/2"	IFL-3-SW-2 1/2"	63	73	26	101	115	50.8	88.9	50	28	M12
0176	100	100	76	3"	IFL-3-SW-3"	70	90	27.5	124	137	61.9	106.4	50	28	M16

High Pressure Series (according to ISO 6162-2) 6000 PSI Series

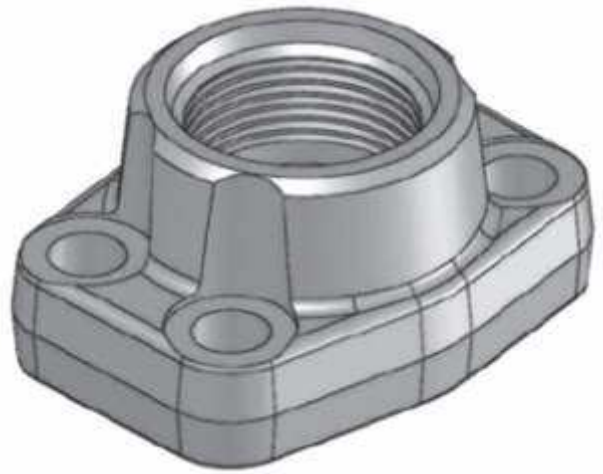
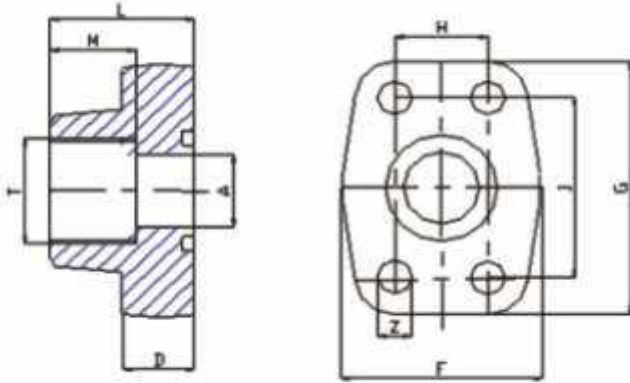
0177	350	400	13	1/2"	IFL 6 SW 1/2"	13	22	16.5	47	57	18.2	40.5	36	19	M8
0178	350	400	19	3/4"	IFL-6-SW-3/4"	19	28	20	54	72	23.8	50.8	36	20	M10
0179	350	400	25	1"	IFL-6-SW-1"	22	35	24	68	82	27.8	57.2	44	22	M12
0180	350	400	32	1 1/4"	IFL-6-SW-1 1/4"	32	42.8	27.5	79	96	31.8	66.6	44	22	M12
0181	350	400	38	1 1/2"	IFL-6-SW-1 1/2"	38	48.6	31	88	108	36.5	79.3	51	24	M16
0182	350	400	51	2"	IFL-6-SW-2"	51	61	37	118	137	44.5	96.8	70	33	M20

How to Order	
Description	3000 PSI 1/2" Integrated Female with Flat Face
Material	AISI316
Plating	Zinc Nickel
Part No.	0169-4-Z

Mat.	St52-3	A105	AISI304	AISI316	SAE1018
Code	-1	-2	-3	-4	-6

***Unless Specified Parts will be Black Oxidized.

Plating	Trivalent	Hexavalent	Zinc Nickel
Code	-T	-H	-Z



Max Working Pressure (bar)			Nominal Size		Dimensions (mm)											Bolts
Part No.	Bolts 8.8	Bolts 10.9	ISO	SAE	STRAIGHT VERSION	A	D	F	G	H	I	L	M	T BSP	Z	Metric

Standard Pressure Series (according to ISO 6162-1) 3000 PSI Series

0183	350	350	13	1/2"	IOR-3-FBSP-1/2"	13	16	47	57	17.5	38.1	36	15	1/2"	8.7	M8 x 30
0184	350	350	19	3/4"	IOR-3-FBSP-3/4"	19	18	50	67	22.3	47.6	36	18	3/4"	10.5	M10 x 35
0185	250	315	25	1"	IOR-3-FBSP-1"	25	18	54	72	26.2	52.4	38	20	1"	10.5	M10 x 35
0186	200	250	32	1"1/4	IOR-3-FBSP-1"1/4	31	21	68	82	30.2	58.7	41	22	1"1/4	10.5	M10 x 40
0187	200	200	38	1"1/2	IOR-3-FBSP-1"1/2	38	25	79	96	35.7	69.9	44	24	1"1/2	13.5	M12 x 45
0188	160	200	51	2"	IOR-3-FBSP-2"	51	25.5	88	102	42.9	77.8	45	26	2"	13.5	M12 x 45
0189	100	160	64	2"1/2	IOR-3-FBSP-2"1/2	63	26	101	115	50.8	88.9	50	30	2"1/2	13.5	M12 x 45
0190	100	160	76	3"	IOR-3-FBSP-3"	73	27.5	124	137	61.9	106.4	50	30	3"	17	M16 x 50

High Pressure Series (according to ISO 6162-2) 6000 PSI Series

0191	350	400	13	1/2"	IOR-6-FBSP 1/2"	14	16.5	47	57	18.2	40.5	36	15	1/2"	8.7	M8 x 30
0192	350	400	19	3/4"	IOR-6-FBSP-3/4"	19	20	54	72	23.8	50.8	36	18	3/4"	10.5	M10 x 35
0193	350	400	25	1"	IOR-6-FBSP-1"	25	24	68	82	27.8	57.2	44	20	1"	13	M12 x 45
0194	350	400	32	1"1/4	IOR-6-FBSP-1"1/4	31	27.5	79	95	31.8	66.6	44	22	1"1/4	15	M12 x 45
0195	350	400	38	1"1/2	IOR-6-FBSP-1"1/2	38	31	88	108	36.5	79.3	51	24	1"1/2	17	M16 x 55
0196	350	400	51	2"	IOR-6-FBSP-2"	50	37	118	137	44.5	96.8	70	33	2"	21	M20 x 70

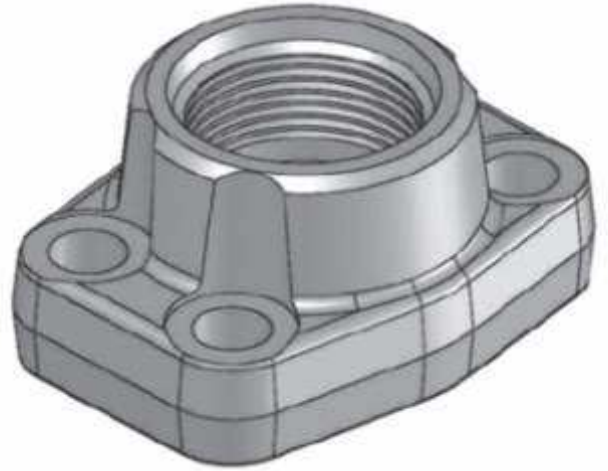
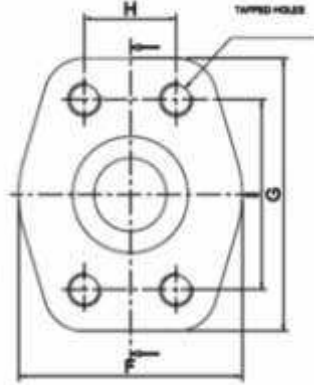
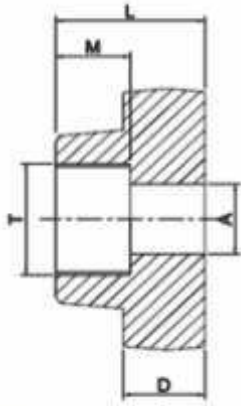
How to Order

Description	3000 PSI 1/2" Integrated Female BSP Threaded with O Ring Groove
Material	AISI316
Plating	Zinc Nickel
Part No.	0183-4-Z

Mat.	St52-3	A105	AISI304	AISI316	SAE1018
Code	-1	-2	-3	-4	-6

***Unless Specified Parts will be Black Oxidized.

Plating	Trivalent	Hexavalent	Zinc Nickel
Code	-T	-H	-Z



Max Working Pressure (bar)			Nominal Size		Dimensions (mm)										
Part No.	Bolts 8.8	Bolts 10.6	ISO	SAE	STRAIGHT VERSION	A	D	F	G	H	I	L	M	T (BSP)	Metric

Standard Pressure Series (according to ISO 6162-1) 3000 PSI Series

0197	350	350	13	1/2"	IFL-3-FBSP-1/2"	13	16	47	57	17.5	38.1	36	15	1/2"	M8
0198	350	350	19	3/4"	IFL-3-FBSP-3/4"	19	18	50	67	22.3	47.6	36	18	3/4"	M10
0199	250	315	25	1"	IFL-3-FBSP-1"	25	18	54	72	26.2	52.4	38	20	1"	M10
0200	200	250	32	1 1/4"	IFL-3-FBSP-1 1/4"	31	21	68	82	30.2	58.7	41	22	1 1/4"	M10
0201	200	200	38	1 1/2"	IFL-3-FBSP-1 1/2"	38	25	79	96	35.7	69.9	44	24	1 1/2"	M12
0202	160	200	51	2"	IFL-3-FBSP-2"	51	25.5	88	102	42.9	77.8	45	26	2"	M12
0203	100	160	64	2 1/2"	IFL-3-FBSP-2 1/2"	63	26	101	115	50.8	88.9	50	30	2 1/2"	M12
0204	100	160	76	3"	IFL-3-FBSP-3"	73	27.5	124	137	61.9	106.4	50	30	3"	M16

High Pressure Series (according to ISO 6162-2) 6000 PSI Series

0205	350	400	13	1/2"	IFL-6-FBSP 1/2"	14	16.5	47	57	18.2	40.5	36	15	1/2"	M8
0206	350	400	19	3/4"	IFL-6-FBSP-3/4"	19	20	54	72	23.8	50.8	36	18	3/4"	M10
0207	350	400	25	1"	IFL-6-FBSP-1"	25	24	68	82	27.8	57.2	44	20	1"	M12
0208	350	400	32	1 1/4"	IFL-6-FBSP-1 1/4"	31	27.5	79	95	31.8	66.6	44	22	1 1/4"	M12
0209	350	400	38	1 1/2"	IFL-6-FBSP-1 1/2"	38	31	88	108	36.5	79.3	51	24	1 1/2"	M16
0210	350	400	51	2"	IFL-6-FBSP-2"	50	37	118	137	44.5	96.8	70	33	2"	M20

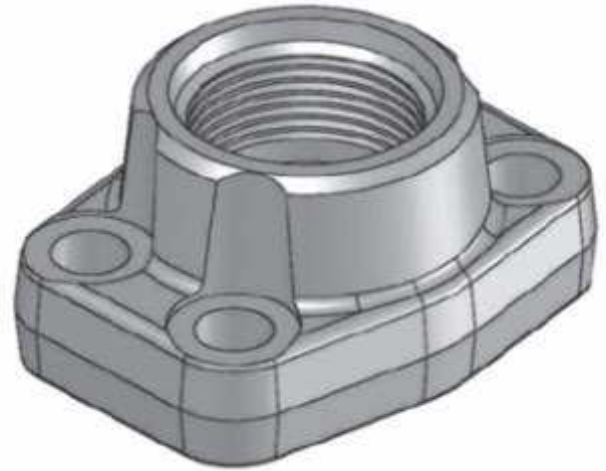
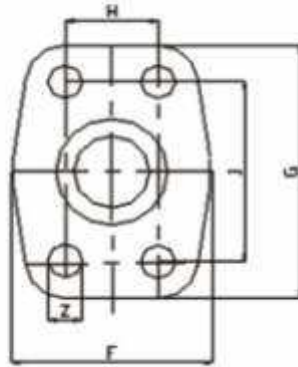
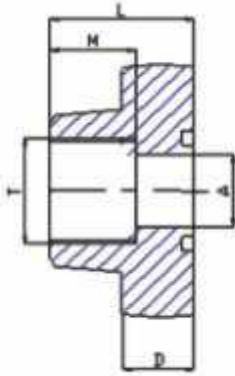
How to Order

Description	3000 PSI 1/2" Integrated Female BSP Threaded with Flat Face
Material	AISI316
Plating	Zinc Nickel
Part No.	0197-4-Z

Mat.	St52-3	A105	AISI304	AISI316	SAE1018
Code	-1	-2	-3	-4	-6

***Unless Specified Parts will be Black Oxidized.

Plating	Trivalent	Hexavalent	Zinc Nickel
Code	-T	-H	-Z



Max Working Pressure (bar)			Nominal Size		Dimensions (mm)											Bolts	
Part No.	Bolts 8.8	Bolts 10.6	ISO	SAE	STRAIGHT VERSION	OA	D	F	G	H	I	L	M	T NPT	Z	Metric	

Standard Pressure Series (according to ISO 6162-1) 3000 PSI Series

0211	350	350	13	1/2"	IOR-3-FNPT-1/2"	13	16	47	57	17.5	38.1	36	15	1/2"	8.7	M8 x 30
0212	350	350	19	3/4"	IOR-3-FNPT-3/4"	19	18	50	67	22.3	47.6	36	18	3/4"	10.5	M10 x 35
0213	250	315	25	1"	IOR-3-FNPT-1"	25	18	54	72	26.2	52.4	38	20	1"	10.5	M10 x 35
0214	200	250	32	1 1/4"	IOR-3-FNPT-1 1/4"	31	21	68	82	30.2	58.7	41	22	1 1/4"	10.5	M10 x 40
0215	200	200	38	1 1/2"	IOR-3-FNPT-1 1/2"	38	25	79	96	35.7	69.9	44	24	1 1/2"	13.5	M12 x 45
0216	160	200	51	2"	IOR-3-FNPT-2"	50	25.5	88	102	42.9	77.8	45	26	2"	13.5	M12 x 45
0217	100	160	64	2 1/2"	IOR-3-FNPT-2 1/2"	63	26	101	115	50.8	88.9	50	30	2 1/2"	13.5	M12 x 45
0218	100	160	76	3"	IOR-3-FNPT-3"	73	27.5	124	137	61.9	106.4	50	30	3"	17	M16 x 50

High Pressure Series (according to ISO 6162-2) 6000 PSI Series

0219	350	400	13	1/2"	IOR-6-FNPT 1/2"	13	16.5	47	57	18.2	40.5	36	15	1/2"	8.7	M8 x 30
0220	350	400	19	3/4"	IOR-6-FNPT-3/4"	19	20	54	72	23.8	50.8	36	18	3/4"	10.5	M10 x 35
0221	350	400	25	1"	IOR-6-FNPT-1"	25	24	68	82	27.8	57.2	44	20	1"	13	M12 x 45
0222	350	400	32	1 1/4"	IOR-6-FNPT-1 1/4"	31	27.5	79	95	31.8	66.6	44	22	1 1/4"	15	M12 x 45
0223	350	400	38	1 1/2"	IOR-6-FNPT-1 1/2"	38	31	88	108	36.5	79.3	51	24	1 1/2"	17	M16 x 55
0224	350	400	51	2"	IOR-6-FNPT-2"	50	37	118	137	44.5	96.8	70	33	2"	21	M20 x 70

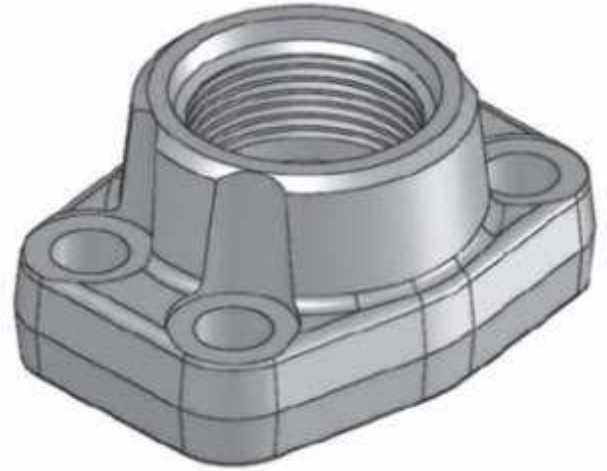
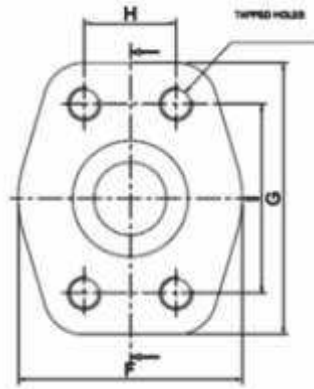
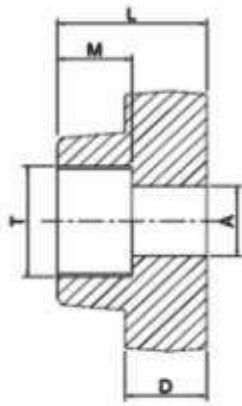
How to Order

Description	3000 PSI 1/2" Integrated Female NPT Threaded with O Ring Groove
Material	AISI316
Plating	Zinc Nickel
Part No.	0211-4-Z

Mat.	St52-3	A105	AISI304	AISI316	SAE1018
Code	-1	-2	-3	-4	-6

***Unless Specified Parts will be Black Oxidized.

Plating	Trivalent	Hexavalent	Zinc Nickel
Code	-T	-H	-Z



Max Working Pressure (bar)			Nominal Size		Dimensions (mm)										
Part No.	Bolts 8.8	Bolts 10.6	ISO	SAE	STRAIGHT VERSION	A	D	F	G	H	I	L	M	T (NPT)	Metric

Standard Pressure Series (according to ISO 6162-1) 3000 PSI Series															
0225	350	350	13	1/2"	IFL-3-FNPT-1/2"	13	16	47	57	17.5	38.1	36	15	1/2"	M8
0226	350	350	19	3/4"	IFL-3-FNPT-3/4"	19	18	50	67	22.3	47.6	36	18	3/4"	M10
0227	250	315	25	1"	IFL-3-FNPT-1"	25	18	54	72	26.2	52.4	38	20	1"	M10
0228	200	250	32	1 1/4"	IFL-3-FNPT-1 1/4"	31	21	68	82	30.2	58.7	41	22	1 1/4"	M10
0229	200	200	38	1 1/2"	IFL-3-FNPT-1 1/2"	38	25	79	96	35.7	69.9	44	24	1 1/2"	M12
0230	160	200	51	2"	IFL-3-FNPT-2"	50	25.5	88	102	42.9	77.8	45	26	2"	M12
0231	100	160	64	2 1/2"	IFL-3-FNPT-2 1/2"	63	26	101	115	50.8	88.9	50	30	2 1/2"	M12
0232	100	160	76	3"	IFL-3-FNPT-3"	73	27.5	124	137	61.9	106.4	50	30	3"	M16

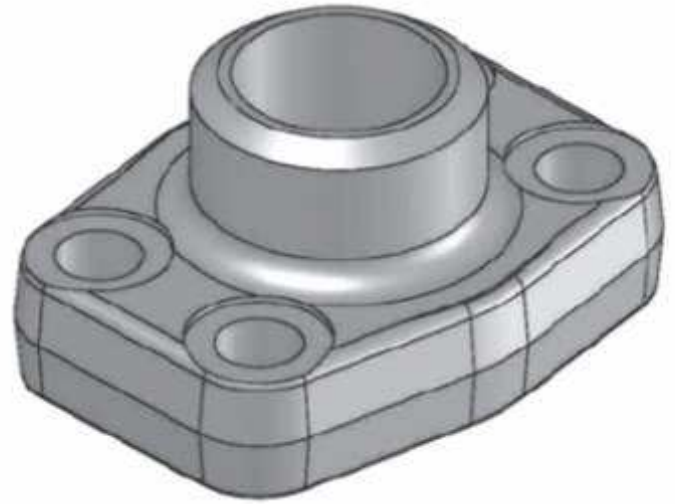
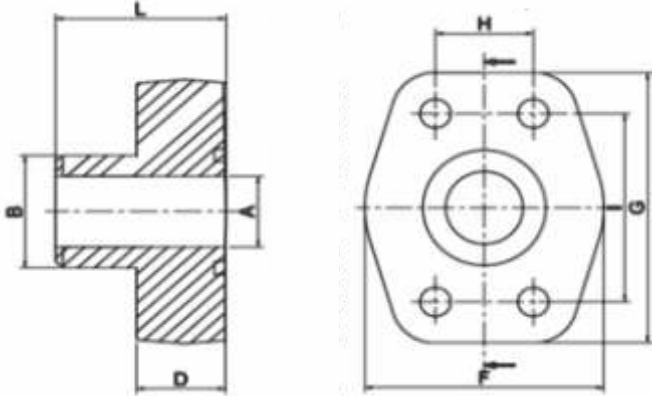
High Pressure Series (according to ISO 6162-2) 6000 PSI Series															
0233	350	400	13	1/2"	IFL-6-FNPT 1/2"	13	16.5	47	57	18.2	40.5	36	15	1/2"	M8
0234	350	400	19	3/4"	IFL-6-FNPT-3/4"	19	20	54	72	23.8	50.8	36	18	3/4"	M10
0235	350	400	25	1"	IFL-6-FNPT-1"	25	24	68	82	27.8	57.2	44	20	1"	M12
0236	350	400	32	1 1/4"	IFL-6-FNPT-1 1/4"	31	27.5	79	95	31.8	66.6	44	22	1 1/4"	M12
0237	350	400	38	1 1/2"	IFL-6-FNPT-1 1/2"	38	31	88	108	36.5	79.3	51	24	1 1/2"	M16
0238	350	400	51	2"	IFL-6-FNPT-2"	50	37	118	137	44.5	96.8	70	33	2"	M20

How to Order	
Description	3000 PSI 1/2" Integrated Female NPT Threaded with Flat Face
Material	AISI316
Plating	Zinc Nickel
Part No.	0225-4-Z

Mat.	St52-3	A105	AISI304	AISI316	SAE1018
Code	-1	-2	-3	-4	-6

***Unless Specified Parts will be Black Oxidized.

Plating	Trivalent	Hexavalent	Zinc Nickel
Code	-T	-H	-Z



Max Working Pressure (bar)			Nominal Size		Dimensions (mm)										Bolts
Part No.	Bolts 8.8	Bolts 10.6	ISO	SAE	Buttweld Flange with O Ring Groove	A	B	D	F	G	H	I	L	Z	Metric

Standard Pressure Series (according to ISO 6162-1) 3000 PSI Series															
0239	350	350	13	1/2"	IOR-3-BWT-1/2"	13	21.6	16	47	57	17.5	38.1	36	8.7	M8 x 30
0240	350	350	19	3/4"	IOR-3-BWT-3/4"	19	27.2	18	50	67	22.3	47.6	36	10.5	M10 x 35
0241	250	315	25	1"	IOR-3-BWT-1"	25	34	18	54	72	26.2	52.4	38	10.5	M10 x 35
0242	200	250	32	1 1/4"	IOR-3-BWT-1 1/4"	32	42.8	21	68	82	30.2	58.7	41	10.5	M10 x 40
0243	200	200	38	1 1/2"	IOR-3-BWT-1 1/2"	38	48.6	25	79	96	35.7	69.9	44	13.5	M12 x 45
0244	160	200	51	2"	IOR-3-BWT-2"	51	61	25.5	88	102	42.9	77.8	45	13.5	M12 x 45
0245	100	160	64	2 1/2"	IOR-3-BWT-2 1/2"	63	76.6	26	101	115	50.8	88.9	50	13.5	M12 x 45
0246	100	160	76	3"	IOR-3-BWT-3"	71	90	27.5	127	137	61.9	106.4	50	17	M16 x 50

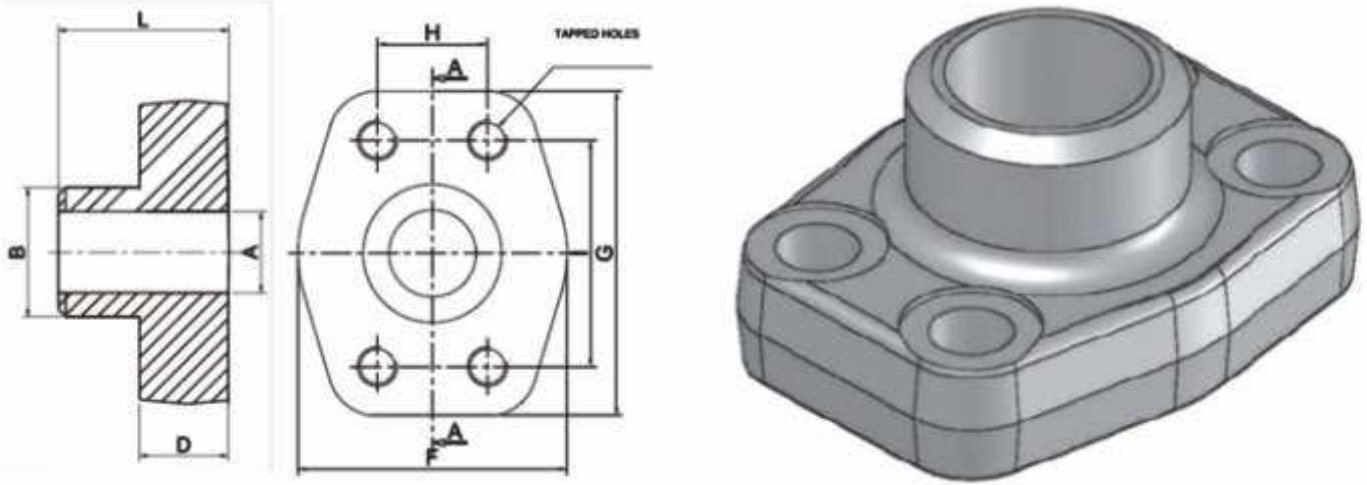
High Pressure Series (according to ISO 6162-2) 6000 PSI Series															
0247	350	400	13	1/2"	IOR-6-BWT-1/2"	13	21.6	16.5	47	57	18.2	40.5	36	8.7	M8 x 30
0248	350	400	19	3/4"	IOR-6-BWT-3/4"	19	28	19.5	54	72	23.8	50.8	36	10.5	M10 x 35
0249	350	400	25	1"	IOR-6-BWT-1"	25	34	24.5	68	82	27.8	57.2	44	13	M12 x 45
0250	350	400	32	1 1/4"	IOR-6-BWT-1 1/4"	29	42.8	27.5	79	95	31.8	66.6	44	15	M12 x 45
0251	350	400	38	1 1/2"	IOR-6-BWT-1 1/2"	32	48.3	31	88	108	36.5	79.3	51	17	M16 x 55
0252	350	400	51	2"	IOR-6-BWT-2"	51	61	37	118	137	44.5	96.8	70	21	M20 x 70

How to Order	
Description	3000 PSI 1/2" Integrated Butt Weld with O Ring Groove
Material	AISI316
Plating	Zinc Nickel
Part No.	0239-4-Z

Mat.	St52-3	A105	AISI304	AISI316	SAE1018
Code	-1	-2	-3	-4	-6

***Unless Specified Parts will be Black Oxidized.

Plating	Trivalent	Hexavalent	Zinc Nickel
Code	-T	-H	-Z



Max Working Pressure (bar)			Nominal Size		Dimensions (mm)									Thread
Part No.	Bolts 8.8	Bolts 10.6	ISO	SAE	Straight Version Flat Face	A	B	D	F	G	H	I	L	Metric

Standard Pressure Series (according to ISO 6162-1) 3000 PSI Series

0253	350	350	13	1/2"	IFL-3-BWT-1/2"	13	21.6	16	47	57	17.5	38.1	36	M8
0254	350	350	19	3/4"	IFL-3-BWT-3/4"	19	27.2	18	50	67	22.3	47.6	36	M10
0255	250	315	25	1"	IFL-3-BWT-1"	25	34	18	54	72	26.2	52.4	38	M10
0256	200	250	32	1"1/4	IFL-3-BWT-1"1/4	32	42.8	21	68	82	30.2	58.7	41	M10
0257	200	200	38	1"1/2	IFL-3-BWT-1"1/2	38	48.6	25	79	96	35.7	69.9	44	M12
0258	160	200	51	2"	IFL-3-BWT-2"	51	61	25.5	88	102	42.9	77.8	45	M12
0259	100	160	64	2"1/2	IFL-3-BWT-2"1/2	63	76.6	26	101	115	50.8	88.9	50	M12
0260	100	160	76	3"	IFL-3-BWT-3"	71	90	27.5	127	137	61.9	106.4	50	M16

High Pressure Series (according to ISO 6162-2) 6000 PSI Series

0261	350	400	13	1/2"	IFL-6-BWT-1/2"	13	21.6	16.5	47	57	18.2	40.5	36	M8
0262	350	400	19	3/4"	IFL-6-BWT-3/4"	19	28	19.5	54	72	23.8	50.8	36	M10
0263	350	400	25	1"	IFL-6-BWT-1"	25	34	24.5	68	82	27.8	57.2	44	M12
0264	350	400	32	1"1/4	IFL-6-BWT-1"1/4	29	42.8	27.5	79	95	31.8	66.6	44	M12
0265	350	400	38	1"1/2	IFL-6-BWT-1"1/2	32	48.3	31	88	108	36.5	79.3	51	M16
0266	350	400	51	2"	IFL-6-BWT-2"	51	61	37	118	137	44.5	96.8	70	M20

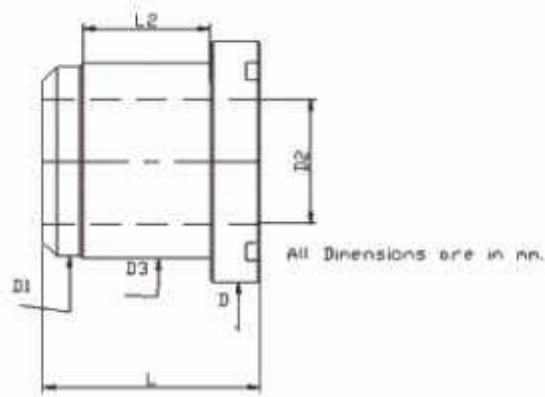
How to Order

Description	3000 PSI 1/2" Integrated Butt Weld Flange with Flat Face
Material	AISI316
Plating	Zinc Nickel
Part No.	0253-4-Z

Mat.	St52-3	A105	AISI304	AISI316	SAE1018
Code	-1	-2	-3	-4	-6

***Unless Specified Parts will be Black Oxidized.

Plating	Trivalent	Hexavalent	Zinc Nickel
Code	-T	-H	-Z



Max Working Pressure (bar)			Nominal Size		Dimensions (mm)						
Part No.	Bolts 8.8	Bolts 10.6	ISO	SAE	Butt Weld Adapter	D	D1	D2	L	D3	L2

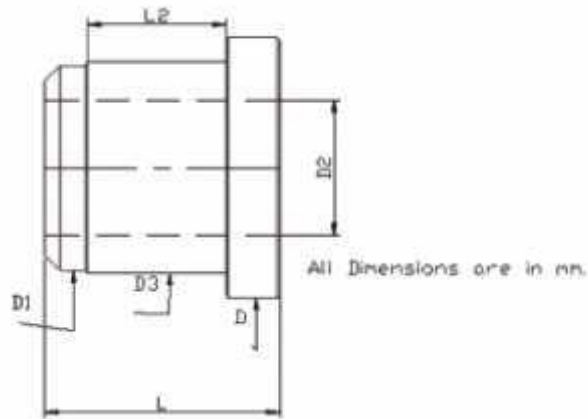
Standard Pressure Series (according to ISO 6162-1) 3000 PSI Series											
267	350	350	13	1/2"	AOR-3-BWA-1/2"	30.2	22	13	41	24	16.5
268	350	350	19	3/4"	AOR-3-BWA-1-3/4"	38.1	28	19	50	31.5	16.5
269	250	315	25	1"	AOR-3-BWA-1"	44.37	38	25	50	38	-
270	200	250	32	1"1/4	AOR-3-BWA-1-1/4"	50.8	42.4	31	55	43	17
271	200	200	38	1"1/2	AOR-3-BWA-1-1/2"	60.35	50	38	57	50	-
272	160	200	51	2"	AOR-3-BWA-2"	71.4	61	47	57	62	18
273	100	160	64	2"1/2	AOR-3-BWA-2-1/2"	84.1	74	58	60	74	-
274	100	160	76	3"	AOR-3-BWA-3"	101.6	90	70	60	90	-

High Pressure Series (according to ISO 6162-2) 6000 PSI Series											
278	350	400	13	1/2"	AOR-6-BWA-1/2"	31.8	22	13	34	24	16
279	350	400	19	3/4"	AOR-6-BWA-3/4"	41.3	28	18	38	32	21
280	350	400	25	1"	AOR-6-BWA-1"	47.5	38	22	40	38	-
281	350	400	32	1"1/4	AOR-6-BWA-1-1/4"	54	42.4	28	37	44	29
282	350	400	38	1"1/2	AOR-6-BWA-1-1/2"	63.5	51	32	50	51	-
283	350	400	51	2"	AOR-6-BWA-2"	79.4	61	41	58	61	-

How to Order	
Description	3000 PSI 1/2" Butt Weld Adapter
Material	AISI316
Plating	Zinc Nickel
Part No.	0267-4-Z

Mat.	St52-3	A105	AISI304	AISI316	SAE1018
Code	-1	-2	-3	-4	-6

Plating	Trivalent	Hexavalent	Zinc Nickel
Code	-T	-H	-Z



Max Working Pressure (bar)			Nominal Size		Dimensions (mm)						
Part No.	Bolts 8.8	Bolts 10.6	ISO	SAE	Butt Weld Adapter	D	D1	D2	L	D3	L2

Standard Pressure Series (according to ISO 6162-1) 3000 PSI Series

284	350	350	13	1/2"	AFL-3-BWA-1/2"	30.2	22	13	41	24	16.5
285	350	350	19	3/4"	AFL-3-BWA-1-3/4"	38.1	28	19	50	31.5	16.5
286	250	315	25	1"	AFL-3-BWA-1"	44.37	38	25	50	38	-
287	200	250	32	1"1/4	AFL-3-BWA-1-1/4"	50.8	42.4	31	55	43	17
288	200	200	38	1"1/2	AFL-3-BWA-1-1/2"	60.35	50	38	57	50	-
289	160	200	51	2"	AFL-3-BWA-2"	71.4	61	47	57	62	18
290	100	160	64	2"1/2	AFL-3-BWA-2-1/2"	84.1	74	58	60	74	-
291	100	160	76	3"	AFL-3-BWA-3"	101.6	90	70	60	90	-

High Pressure Series (according to ISO 6162-2) 6000 PSI Series

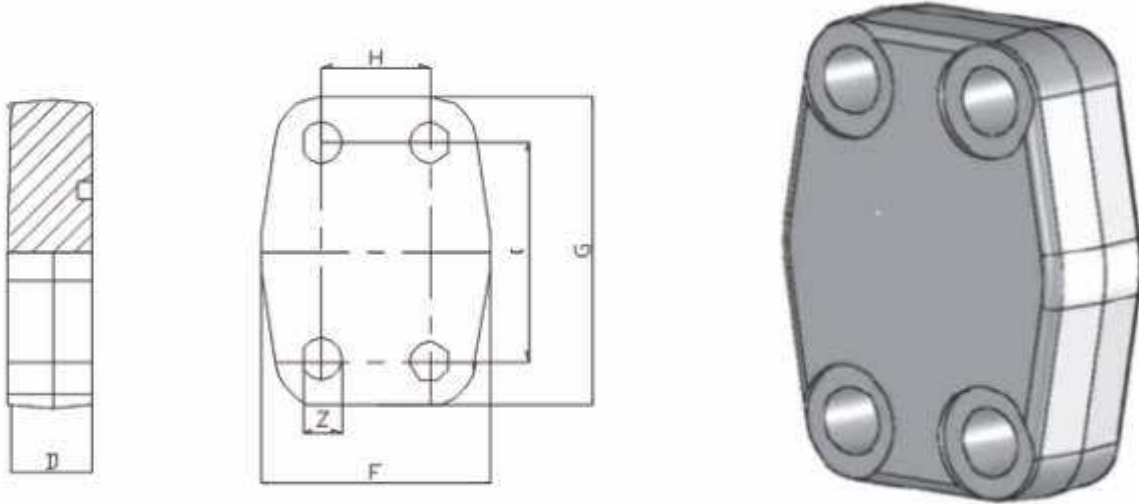
295	350	400	13	1/2"	AFL-6-BWA-1/2"	31.8	22	13	34	24	16
296	350	400	19	3/4"	AFL-6-BWA-3/4"	41.3	28	18	38	32	21
297	350	400	25	1"	AFL-6-BWA-1"	47.5	38	22	40	38	-
298	350	400	32	1"1/4	AFL-6-BWA-1-1/4"	54	42.4	28	37	44	29
299	350	400	38	1"1/2	AFL-6-BWA-1-1/2"	63.5	51	32	50	51	-
300	350	400	51	2"	AFL-6-BWA-2"	79.4	61	41	58	61	-

How to Order

Description	3000 PSI 1/2" Butt Weld Adapter
Material	AISI316
Plating	Zinc Nickel
Part No.	0284-4-Z

Mat.	St52-3	A105	AISI304	AISI316
Code	-1	-2	-3	-4

Plating	Trivalent	Hexavalent	Zinc Nickel
Code	-T	-H	-Z



Max Working Pressure (bar)			Nominal Size		Dimensions (mm)							Bolts	
Part No.	Bolts 8.8 (ML)	Bolts 10.9 (MH)	ISO [DN]	SAE (Inch)	Blind Mono Flange	D	F	G	H	I	Z	Metric	UNC

Standard Pressure Series (according to ISO 6162-1) 3000 PSI Series

384	350	350	13	1/2"	FMB-3---1/2"	16	47	57	17.5	38.1	8.8	M8 x 30	5/16"-18x1"1/4
385	350	350	19	3/4"	FMB-3---3/4"	18	50	67	22.3	47.6	10.5	M10 x 35	3/8"-16x1"1/2
386	250	315	25	1"	FMB-3---1"	19	54	72	26.2	52.4	10.5	M10 x 35	3/8"-16x1"1/2
387	200	250	32	1"1/4	FMB-3---1"-1/4"	18	68	82	30.2	58.7	10.5	M10 x 40	7/16"-14x1"1/2
388	200	200	38	1"1/2	FMB-3---1"-1/2"	20	79	96	35.7	69.9	13.5	M12 x 45	1/2"-13x1"3/4
389	160	200	51	2"	FMB-3---2"	20	88	102	42.9	77.8	13.5	M12 x 45	1/2"-13x1"3/4
390	100	160	64	2"1/2	FMB-3---1"-1/2"	20	101	115	50.8	88.9	13.5	M12 x 45	1/2"-13x1"3/4
397	100	160	76	3"	FMB-3---3"	24	127	137	61.9	106.4	17	M16 x 50	5/8"-11x2"

High Pressure Series (according to ISO 6162-2) 6000 PSI Series

391	350	400	13	1/2"	FMB-6---1/2"	16	47	57	18.2	40.5	8.8	M8 x 30	5/16"-18x1"1/4
392	350	400	19	3/4"	FMB-6---3/4"	19	54	72	23.8	50.8	10.5	M10 x 35	3/8"-16x1"1/2
393	350	400	25	1"	FMB-6---1"	24	68	82	27.8	57.2	13	M12 x 45	7/16"-14x1"3/4
394	350	400	32	1"1/4	FMB-6---1"-1/4"	27	79	95	31.8	66.6	15	M12 x 45	-
395	350	400	38	1"1/2	FMB-6---1"-1/2"	30	88	108	36.5	79.3	17	M16 x 55	5/8"-11x2"3/4
396	350	400	51	2"	FMB-6---2"	30	118	137	44.5	96.8	21	M20 x 65	3/4"-10x2"3/4

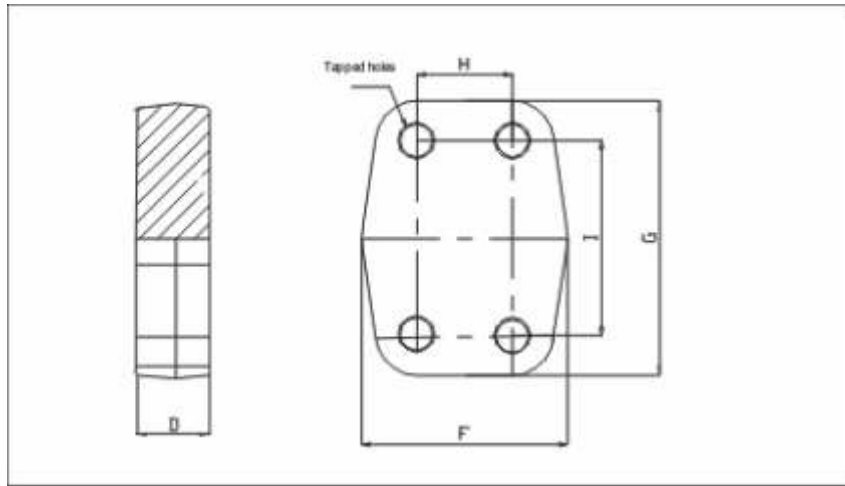
How to Order

Description	3000 PSI 1/2" SAE Blind Mono Flange
Material	AISI316
Plating	Zinc Nickel
Part No.	0100-4-Z

Mat.	St52-3	A105	AISI304	AISI316	SAE1040
Code	-1	-2	-3	-4	-5

***Blind Flange in Carbon Steel comes with Black Oxidized Treatment.

Plating	Trivalent	Hexavalent	Zinc Nickel
Code	-T	-H	-Z



Max Working Pressure (bar)			Normal Size		Dimensions (mm)						
Part No.	Bolts 8.8 (ML)	Bolts 10.9 (MH)	ISO (DN)	SAE (inch)	Blind Mono Flange	D	F	G	H	I	Metric.

Standard Pressure Series (according to ISO6162-1) 3000 PSI Series

397	350	350	13	1/2"	FMB-IFL-3--1/2"	16	47	57	17.5	38.1	M8
398	350	350	19	3/4"	FMB-IFL-3---3/4"	18	50	67	22.3	47.6	M10
399	250	315	25	1"	FMB-IFL-3---1"	19	54	72	26.2	52.4	M10
400	200	250	32	1"1/4	FMB-IFL-3---1"1/4"	18	68	82	30.2	58.7	M10
401	200	200	38	1"1/2	FMB-IFL-3---1"1/2"	20	79	96	35.7	69.9	M12
402	160	200	51	2"	FMB-IFL-3---2"	20	88	102	42.9	77.8	M12
403	100	160	64	2"1/2	FMB-IFL-3---2"1/2"	20	101	115	50.8	88.9	M12
404	100	160	76	3"	FMB-IFL-3---3"	24	127	137	61.9	106.4	M16

High Pressure Series (according to ISO 6162-2) 6000 PSI Series

405	350	400	13	1/2"	FMB-IFL-6--1/2"	16	47	57	18.2	40.5	M8
406	350	400	19	3/4"	FMB-IFL-6---3/4"	19	54	72	23.8	50.8	M10
407	350	400	25	1"	FMB-IFL-6---1"	24	68	82	27.8	57.2	M12
408	350	400	32	1"1/4	FMB-IFL-6---1"1/4"	27	79	95	31.8	66.6	M12
409	350	400	38	1"1/2	FMB-IFL-6---1"1/2"	30	88	108	36.5	79.3	M16
410	350	400	51	2"	FMB-IFL-6---2"	30	118	137	44.5	96.8	M20

How to Order	
Description	3000 PSI 1/2" SAE BLIND MONO FLANGE
Material	AISI 316
Plating	Zinc Nickel
Part No.	'0100-4-Z

Mat.	ST52-3	A105	AISI304	AISI316
Code	-1	-2	-3	-4

***Blind flange in carbon steel comes with Black Oxidised treatment.

Plating	Trivalent	Hexa-valent	Zinc Nickel
Code	-T	-H	-Z

PRODUCTS

- Code 6162 SAE Flanges
- Socket weld/Butt weld Flanges
- Oval Flanges
- Hydraulic Ferrules/Sleeves
- Hydraulic Fittings
- Hydraulic Clamps
- Machined Components
- Pins for Boom/Excavators/Tower-cranes/Undercarriage

SOLUTIONS

- Import Substitution
- Contract Manufacturing
- Joint Venture



SUPERIOR

HYDROLIQUE PVT LTD

Get in touch

SUPERIOR HYDROLIQUE PVT. LTD.

Sr. No. 27, Plot No. 52, Burhani Industrial Estate,
Kondhwa Budruk, Pune, Maharashtra 411048.

ALLIANCE OVERSEAS TRADING.

P. O box 8747, Shop No. 56, Naif Bazar, Naif Road,
Deira Dubai (U.A.E).

info@superflowfittings
+91 93591 72859

